

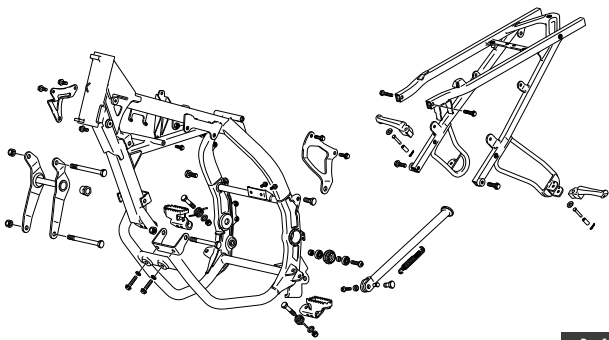
SHERCO



SPARE PARTS BOOK '23

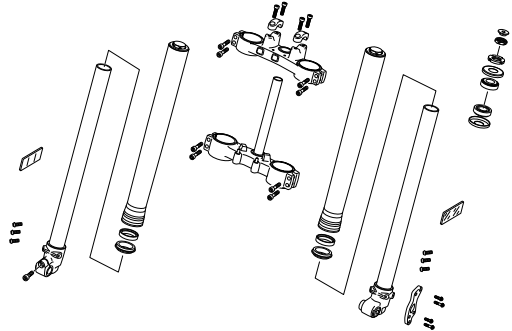
125 HRD SM-SE FACTORY

1 Cadre / Frame / Chasis



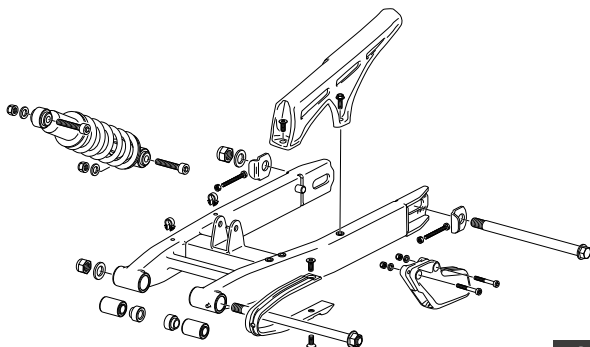
Pg. 1-2

2 Fourche / Fork / Horquilla



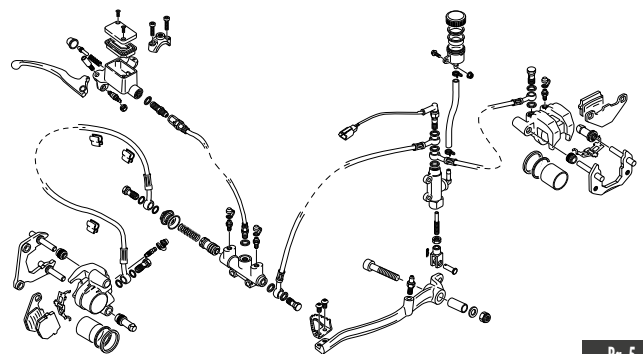
Pg. 3

3 Amortisseur - Bras oscillant / Rear Shock - Swingarm / Amortiguador - Basculante



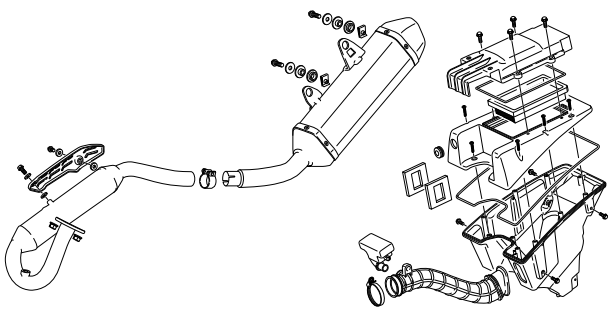
Pg. 4

4 Système de freinage / Brake system / Sistema de frenos



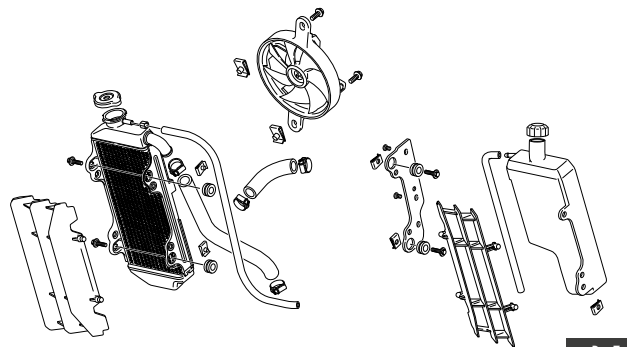
Pg. 5

5 Boîte filtre - échappement / Air filter box - exhaust system / Caja filtro - escape



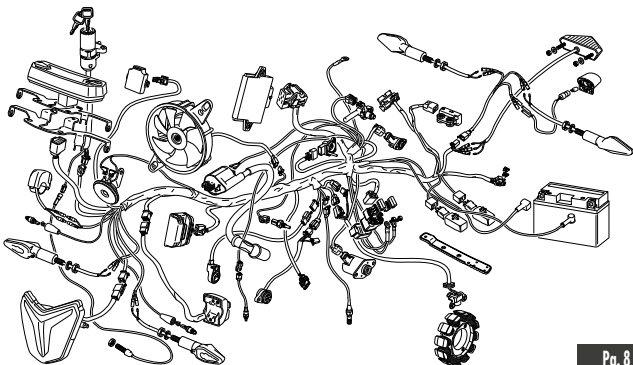
Pg. 6

6 Radiateur / Radiator / Radiador



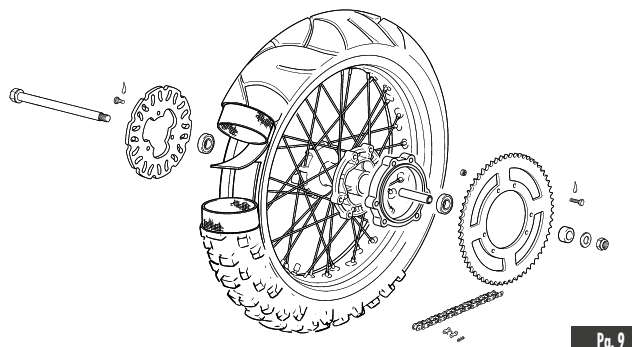
Pg. 7

7 Faisceau électrique / Electrical system / Instalación eléctrica



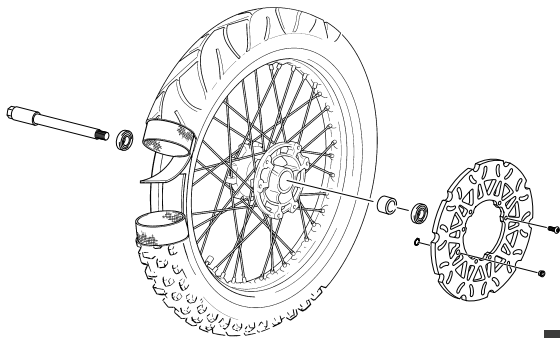
Pg. 8

8 Roue avant / Front wheel / Rueda delantera



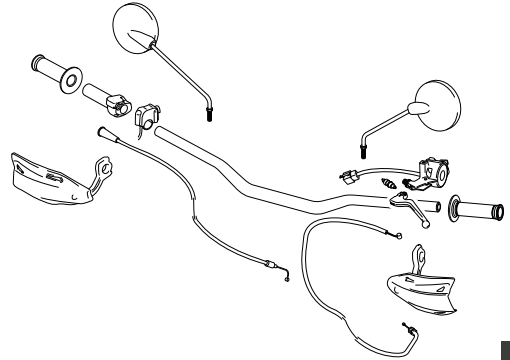
Pg. 9

9 Roue arrière / Rear wheel / Rueda trasera



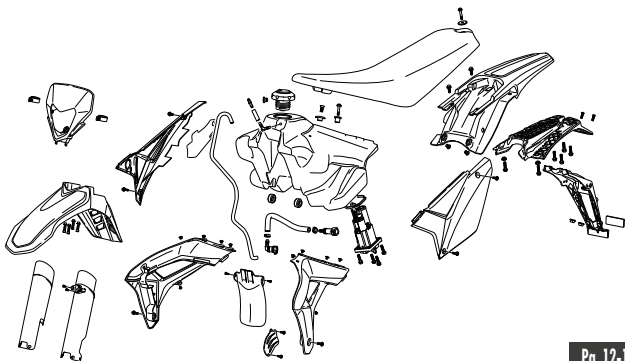
Pg. 10

10 Guidon / Handlebar / Manillar



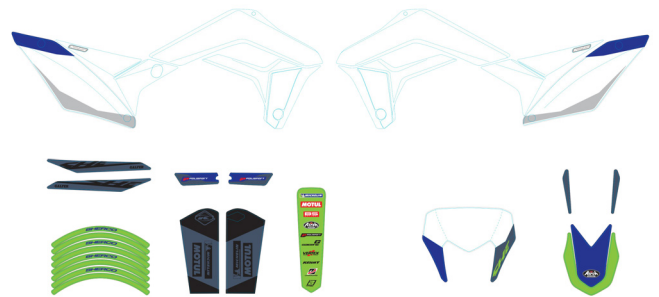
Pg. 11

11 Plastiques / Plastics / Plásticos



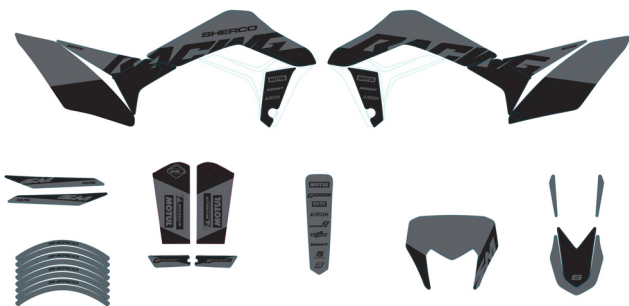
Pg. 12-13

12 Adhésif / Sticker / Adhesivo - FACTORY



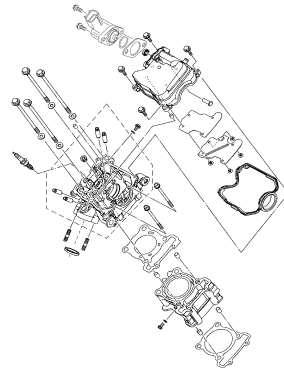
Pg. 14

13 Adhésif / Sticker / Adhesivo - BLACK MOON



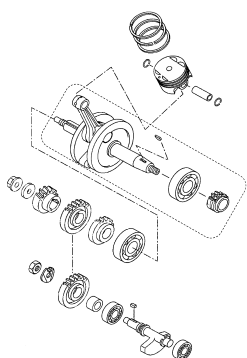
Pg. 15

14 Cylindre-Culasse / Cylinder-Cylinder head / Cilindro-Culata



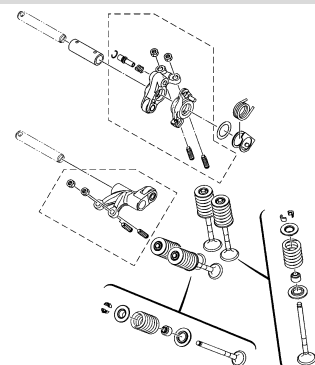
Pg. 16

15 Vilebrequin assemblé / Crankshaft assy / Cigüeñal



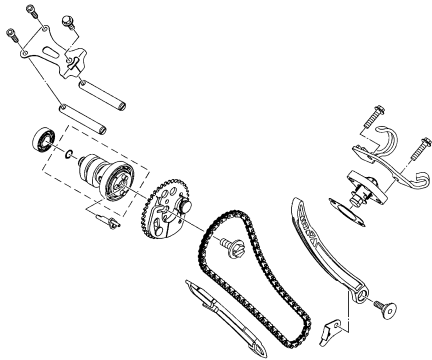
Pg. 17

16 Soupapes / Valves / Válvulas



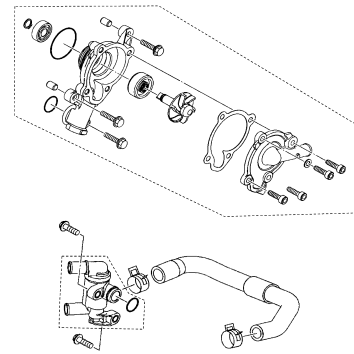
Pg. 18

17 Systeme distribution / Distribution system / Sistema de distribución



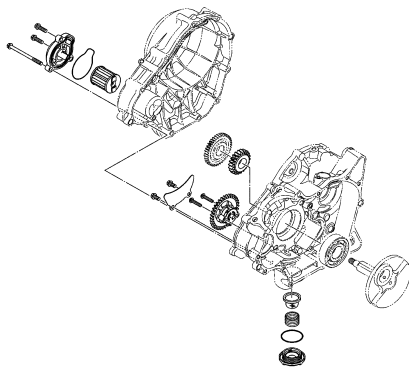
Pg. 19

18 Pompe à eau / Water pump / Bomba de agua



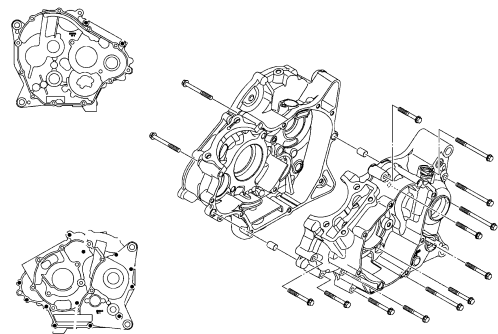
Pg. 20

19 Pompe à huile / Oil pump / Bomba de aceite



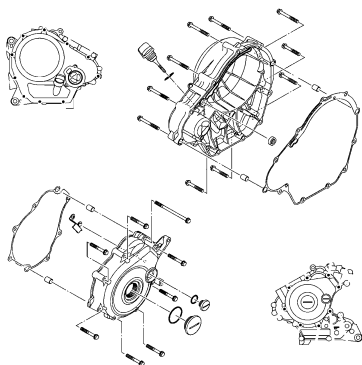
Pg. 21

20 Carters centraux / Central crankcase / Cáter central



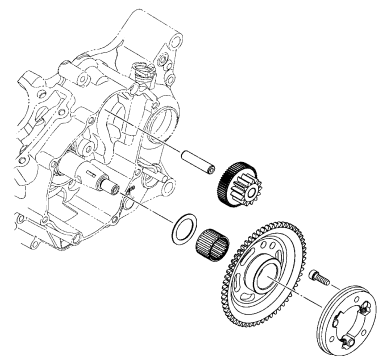
Pg. 22

21 Carters lateraux / Lateral crankcase / Cáter lateral



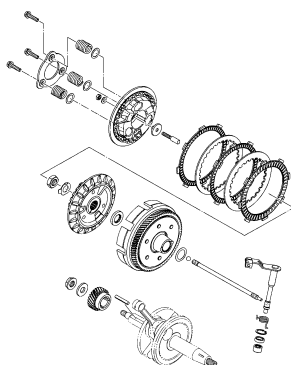
Pg. 23

22 Démarreur / Starter motor / Motor de arranque



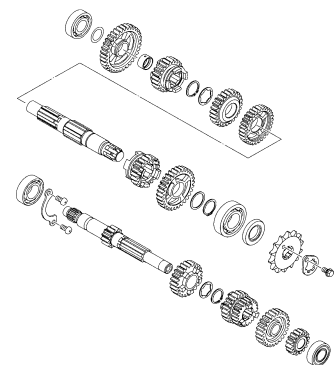
Pg. 24

23 Embayage / Clutch / Embrague



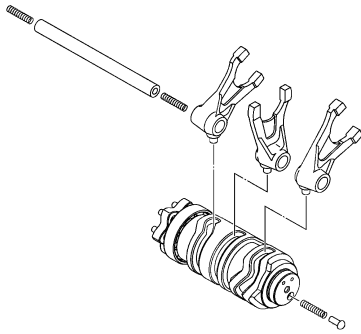
Pg. 25

24 Boîte de vitesse / Gear set / Cambio



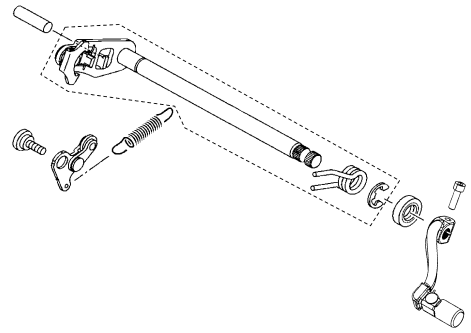
Pg. 26

25 Selection / Selector / Selector



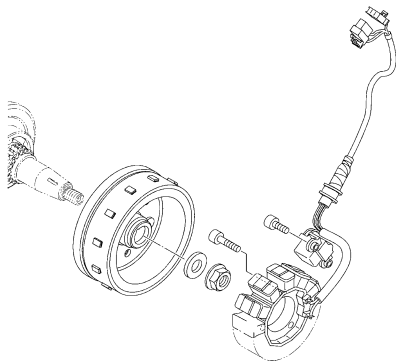
Pg. 27

26 Sélecteur / Gear selector group / Selector cambio



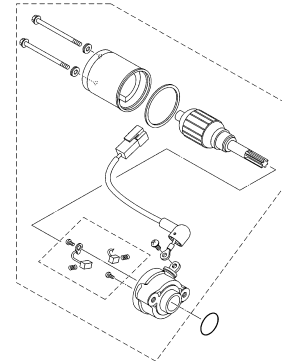
Pg. 28

27 Ensemble allumage / Ignition system / Sistema de encendido



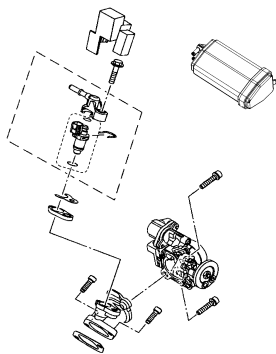
Pg. 29

28 Démarreur / Starter motor / Motor de arranque



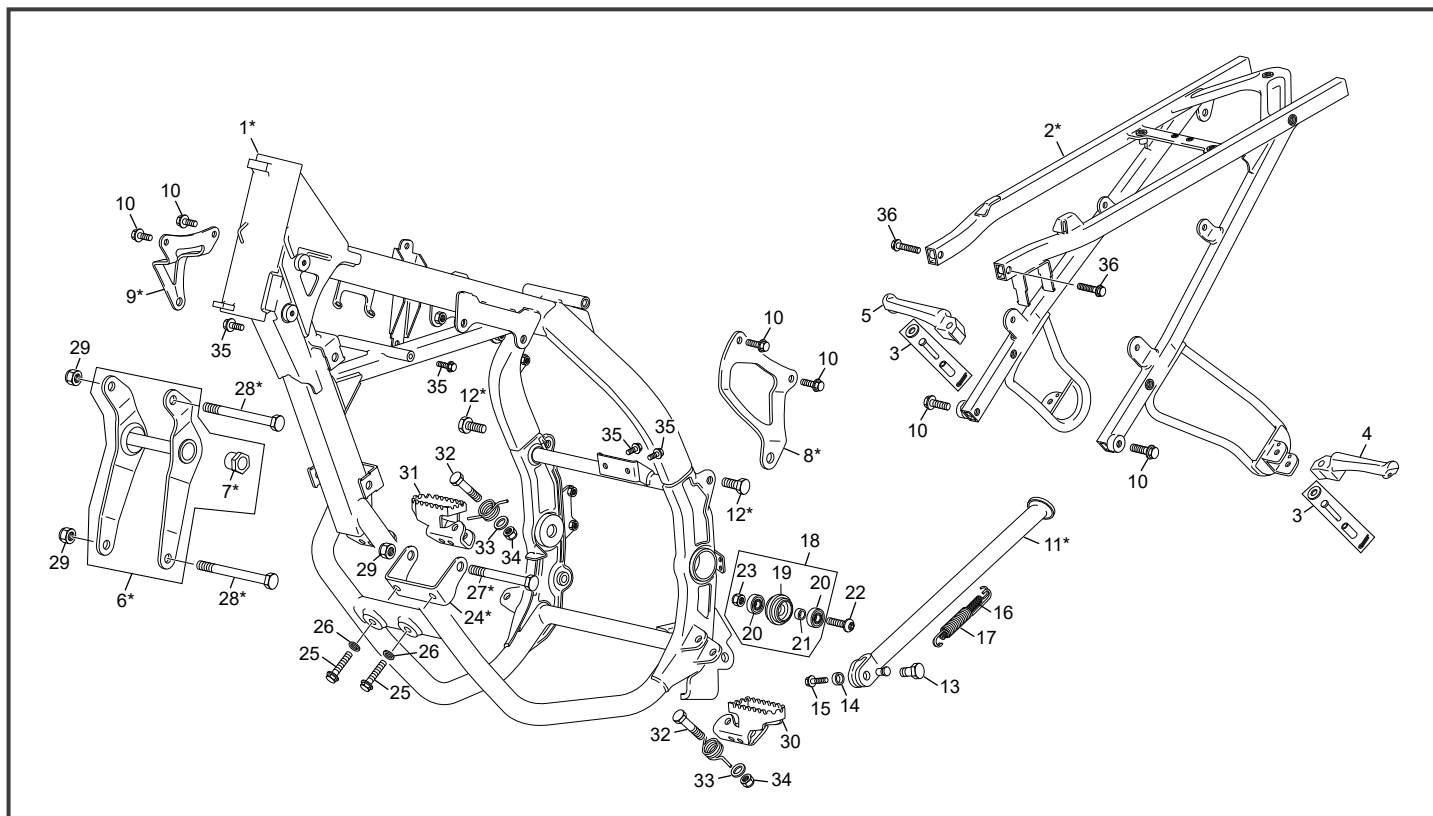
Pg. 30

29 Corps d'injection / Injector body / Cuerpo de inyección



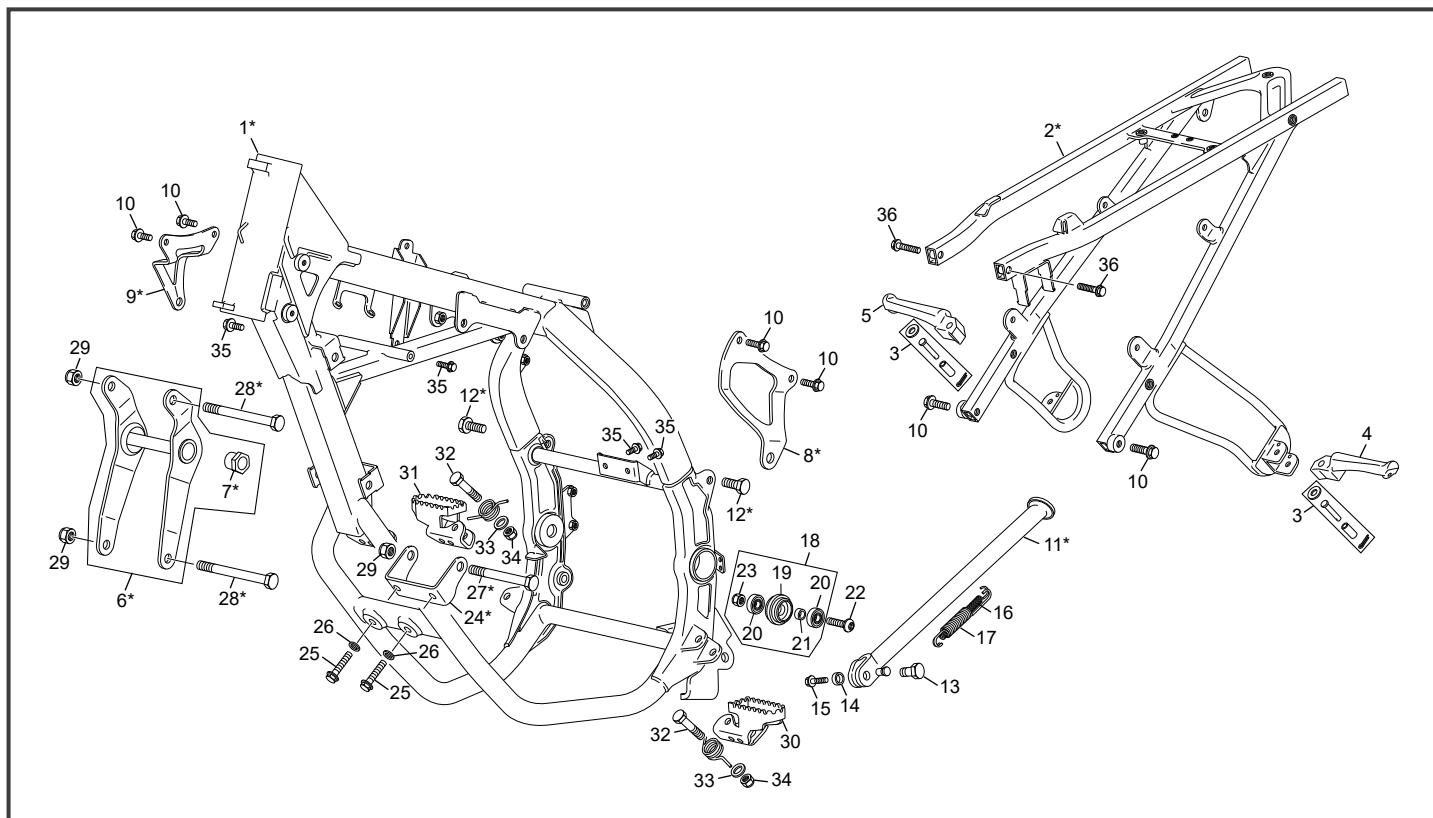
Pg. 31

Cadre Frame / Chasis



POS.	HRD-SM-FACT-RS	HRD-SE-FACT-RS	FRANÇAIS	ENGLISH	ESPAÑOL
1	8990*	8990*	CHASSIS	FRAME	CHASIS
2	8991*	8991*	BERCEAU	SUB FRAME	SOPORTE SILLIN
3	10492	10492	KIT AXE REPOSE PIED PASSAGER	REAR FOOTREST AXLE KIT	KIT EJE ESTRIBERAS PASAJERO
4	10674	10674	REPOSE PIED GAUCHE PASSAGER	LEFT PASSANGER FOOTREST	ESTIBERA IZQ. PASAJERO
5	10673	10673	REPOSE PIED DROIT PASSAGER	RIGHT PASSENGER FOOTREST	ESTIBERA DER. PASAJERO
6	10311*	10311*	SUPPORT MOTEUR AR + ECROU ENTRETOISE	REAR ENGINE SUPPORT + SPACER	SOPORTE MOTOR TRASERO + CASQUILLO
7	10316*	10316*	ECROU ENTRETOISE	SWING ARM NUT	TUERCA BASCULANTE
8	10310*	10310*	SUPPORT CULASSE GAUCHE	LEFT CYLINDER HEAD SUPPORT	SOPORTE CULATA IZQUIERDO
9	10309*	10309*	SUPPORT CULASSE DROITE	RIGHT CYLINDER HEAD SUPPORT	SOPORTE CULATA DERECHO
10	3363	3363	VIS THEP M8X20	SCREW TH EP M8 X 20	TORNILLO TH EP M8 X 20
11	10592*	11110*	BEQUILLE SM/SE	SIDE STAND SM/SE	CABALLETE SM/SE
12	11626*	11626*	VIS TH EP EMBASE M10 X 1.25 X 30	SCREW TH EP EMBASE M10 X 1.25 X 30	TORNILLO TH EP EMBASE M10 X 1.25 X 30
13	H111	H111	AXE BEQUILLE	SIDE STAND SCREW	TORNILLO CABALLETE
14	H112	H112	ENTRETOISE AXE BEQUILLE	SIDE STAND BRACE	CASQUILLO CABALLETE
15	0970	0970	VIS THEP M6X25	SCREW THEP M6X25	TORNILLO THEP M6X25
16	3086	3086	RESSORT DE BEQUILLE INT	STAND INSIDE SPRING	MUELLE CABALLETE INT
17	3085	3085	RESSORT BEQUILLE EXT	STAND OUTSIDE SPRING	MUELLE CABALLETE EXT
18	5549	5549	GALET DE CHAINE END COMPLET	CHAIN ROLLER KIT	ROLO CADENA CONJUNTO
19	0231	0231	GALET DE CHAINE END	CHAIN ROLLER	ROLO CADENA
20	M027	M027	ROULEMENT À BILLE 608.2RSH	BALL BEARING 608.2RSH	COJINETE DE RODAMIENTO 608.2RSH
21	0556	0556	DOUILLE GALET CHAINE END	SPACER CHAIN ROLLER	CASQUILLO ROLO CADENA
22	1028	1028	VIS BHC M8X35	SCREW BHC M8X35	TORNILLO BHC M8X35
23	M305	M305	ECROU NYLSTOP M8	NYLSTOP NUT	TUERCA NYLSTOP
24	11010*	11010*	SUPPORT MOTEUR AV	FRONT ENGINE SUPPORT	SOPORTE MOTOR DELANTERO
25	3254	3254	VIS THEP M8X35	SCREW THEP M8X35	TORNILLO THEP M8X35
26	1432	1432	RONDELLE AET 8	WASHER X AET 8	ARANDELA AET 8
27	11060*	11060*	VIS H M10X100	SCREW H M10X100	TORNILLO M10X100
28	11059*	11059*	VIS H M10X120	SCREW H M10X120	TORNILLO M10X120
29	M304	M304	ECROU NYLSTOP M10	NYLSTOP NUT M10	TUERCA NYLSTOP M10
30	H174	H174	CALE PIED GAUCHE	LEFT FOOTREST	ESTRIBO IZQUIERDO
31	H175	H175	CALE PIED DROIT	RIGHT FOOTREST	ESTRIBO DERECHO
32	C422	C422	VIS H 8 X 45	SCREW H 8X45	TORNILLO H 8X45
33	C430	C430	RONDELLE M8	M8 WASHER	M8 ARANDELLA
34	M305	M305	ECROU NYLSTOP M8	NYLSTOP NUT M8	TUERCA NYLSTOP M8
35	0656	0656	VIS THEP M6X16	SCREW THEP M6X16	TORNILLO THEP M6X16

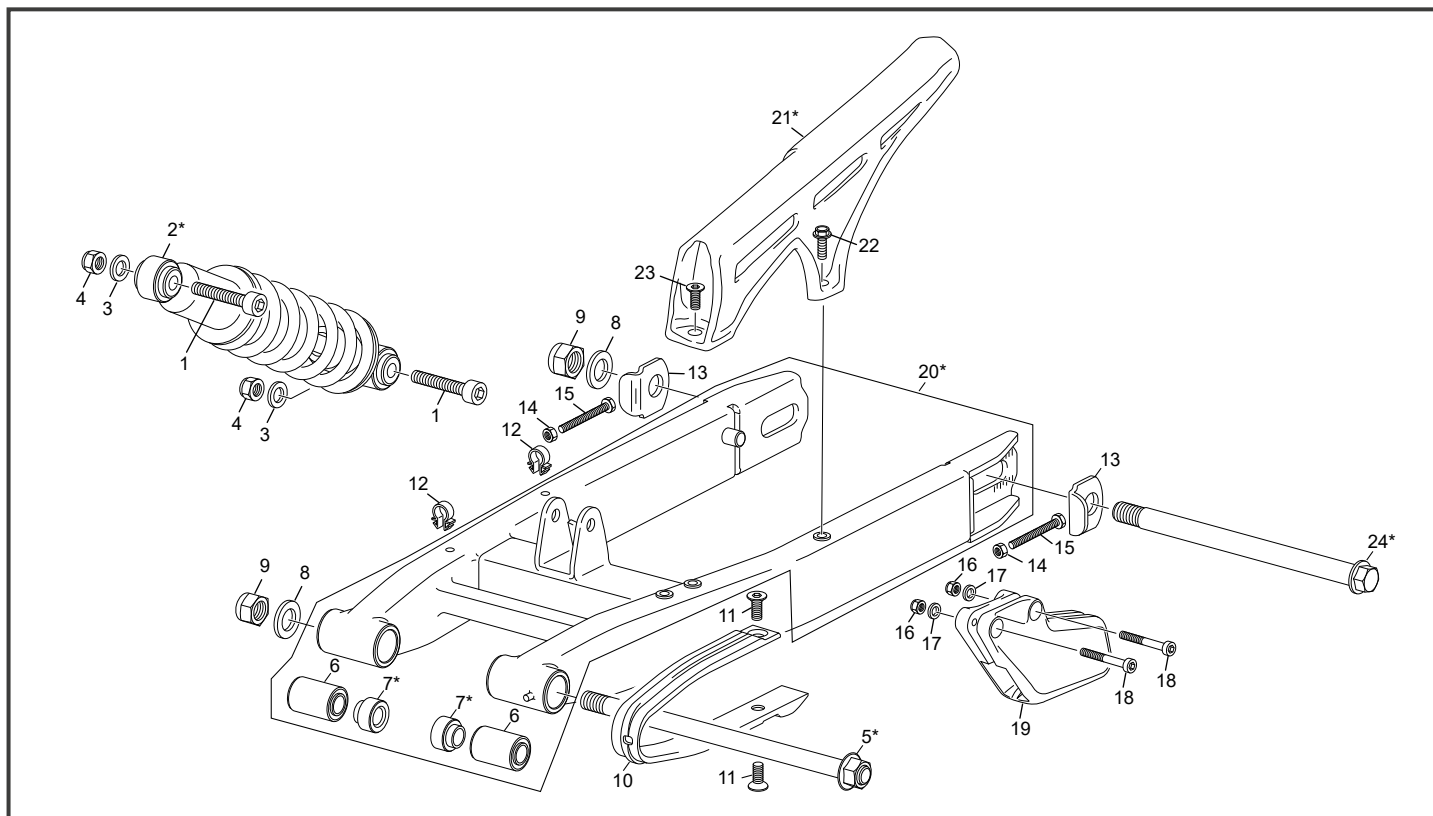
*Sherco se réserve les droits de modification des références, merci de contrôler sur le portail Sherconetwork avant toute commande. - *Sherco reserves the right to make change on the references, please check on your Sherconetwork portal before ordering.
*Sherco se reserva el derecho para hacer modificaciones sobre las referencias. Por favor, verifica en el Sherconetwork antes de hacer un pedido.



POS.	HRD-SM-FACT-RS	HRD-SE-FACT-RS	FRANÇAIS	ENGLISH	ESPAÑOL
36	3254	3254	VIS THEP M8X35	SCREW THEP M8X35	TORNILLO THEP M8X35

* NOUVELLE PIECE
NEW PART
PIEZA NUEVA

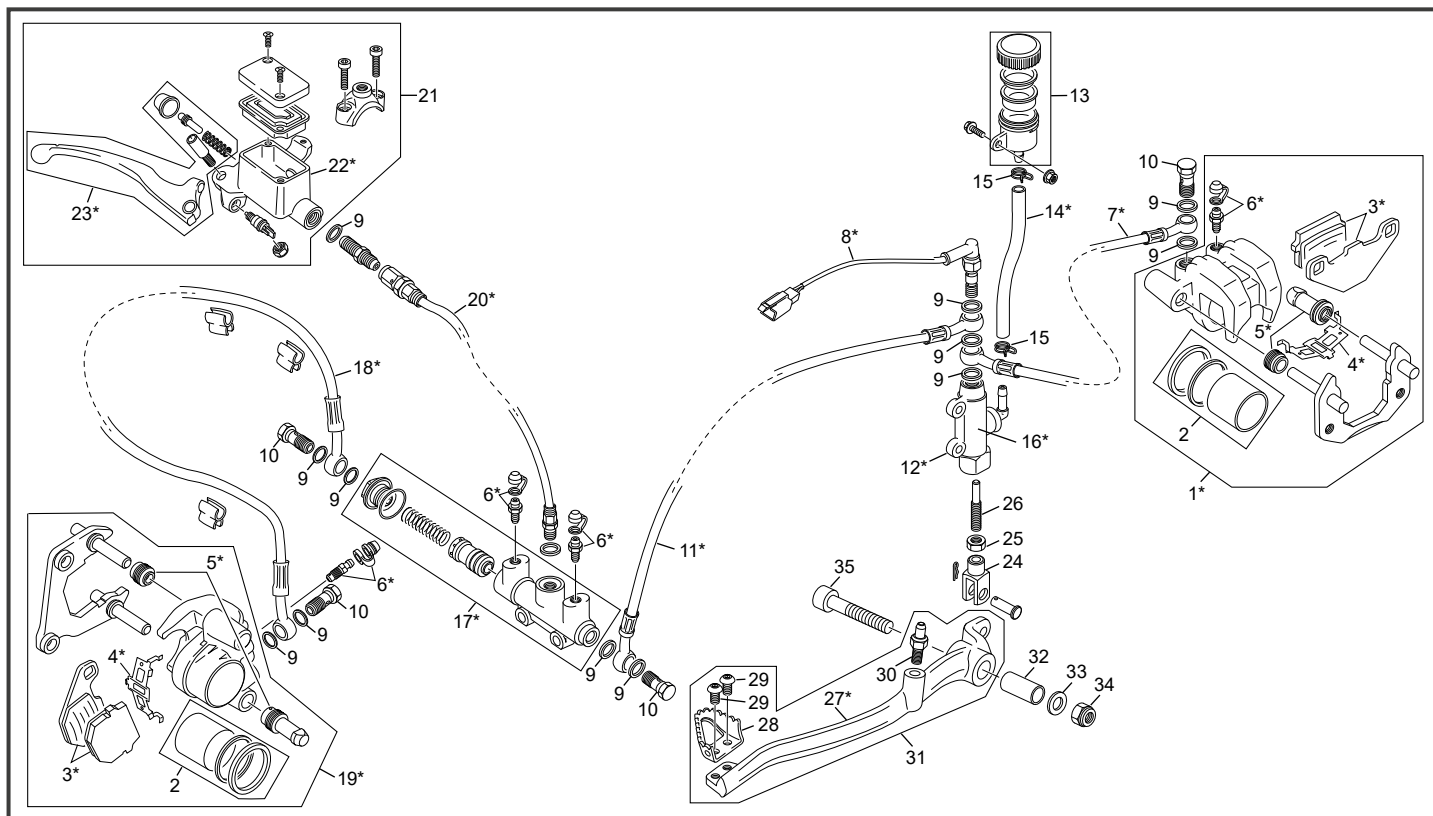
Amortisseur - Bras oscillant Rear Shock - Swingarm / Amortiguador - Basculante



POS.	HRD-SM-FACT-RS	HRD-SE-FACT-RS	FRANÇAIS	ENGLISH	ESPAÑOL
1	M259	M259	VIS CHC 10 X 50 0084	SCREW CHC 10 X 50	TORNILLO 10 X 50 ALLEN
2	10858*	10858*	AMORTISSEUR 125 4T	SHOCK ABSORBER 125 4T	AMORTIGUADOR 125 4T
3	C424	C424	RONDELLE M10	WASHER M10	ARANDELA M10
4	M304	M304	ECROU NYLSTOP M10 0368.10	NUT NYLSTOP M10	TUERCA NYLSTOP M10
5	10313*	10313*	AXE BRAS OSCILLANT 125	SWINGARM AXLE	EJE BASCULANTE
6	11218	11218	SILENT BLOC DE BRAS OSCILLANT	SILENTBLOC SWINGARM	SILENTBLOC BASCULENTE
7	10315*	10315*	ENTRETOISE BRAS OSCILLANT	SPACER SWING ARM	CASQUILLO EJE BASCULANTE
8	C426	C426	RONDELLE M16	WASHER M16	ARANDELA M16
9	C417	C417	ECROU NYLSTOP M16 X 150	NUT NYLSTOP M16 X 150	TUERCA NYLSTOP M16 X 150
10	H065	H065	PATIN CHAINE	CHAIN SLIDER	PATÍN CADENA
11	M301	M301	VIS FHC M8X20	SCREW FHC 8X20	TORNILLO AVELLANADO M 8 X 20
12	H273	H273	CLIP DURITE DE FREIN	BRAKE HOSE CLIP	CLIP TUBO FRENO
13	7200	7200	TOLE TENSION CHAINE 50/125	CHAIN TENSIONER	CHAPA TENSIÓN CADENA
14	M309	M309	ECROU STANDARD M6 0317	STANDARD NUT M6	TUERCA STANDARD M6
15	1027	1027	VIS TH M6 X 60	SCREW TH M6X60	TORNILLO TH M6X60
16	M306	M306	ECROU NYLSTOP M6 0368.6	NYLSTOP NUT M6	TUERCA NYLSTOP M6
17	C427	C427	RONDELLE M6 X 15	WASHER M6X15	ARANDELA M6X15
18	10343	10343	VIS M6X45 ISO 4014	SCREW M6X45	TORNILLO M6X45
19	0296	0296	GUIDE CHAINE	CHAIN GUIDE	GUÍA CADENA
20	8994*	8994*	BRAS OSCILLANT	SWINGARM	BASCULANTE
21	11190*	11190*	CARTER DE CHAINE	CHAIN PROTECTOR	PROTECTOR CADENA
22	5201	5201	VIS THEP M6X16	SCREW THEP M6X16	TORNILLO THEP M6X16
23	3205	3205	VIS FHC M6X16	SCREW FHC M6X16	TORNILLO FHC M6X16
24	10512*	10512*	AXE ROUE AR	REAR WHEEL AXLE	EJE RUOTA TRASERA
25	C426	C426	RONDELLE M16 AXE ROUE AR	REAR WHEEL AXLE WASHER M16	ARANDELA M16
26	C417	C417	ECROU AXE ROUE AR	REAR WHEEL NUT	TUERCA RUOTA TRASERA

* NOUVELLE PIECE
NEW PART
PIEZA NUEVA

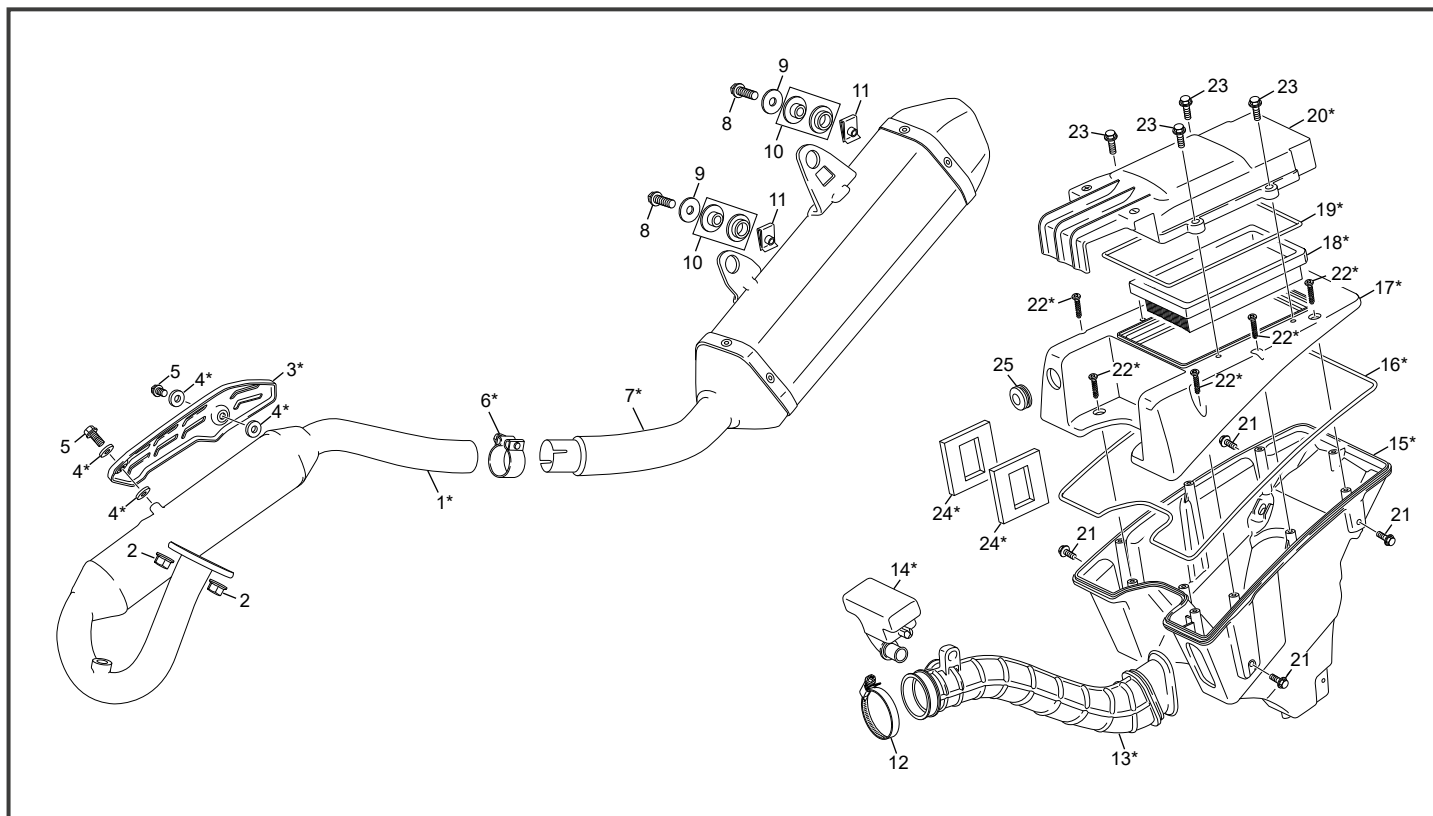
Système de freinage Brake system / Sistema de frenos



POS.	HRD-SM-FACT-RS	HRD-SE-FACT-RS	FRANÇAIS	ENGLISH	ESPAÑOL
1	11508*	11508*	ETRIER AR	REAR CALIPER	PINZA FRENO TRASERO
2	4083	4083	KIT PISTON ETRIER AR/AV JJUAN	KIT REPAIR CALIPER JJUAN	KIT REPARACIÓN PINZA JJUAN
3	11515*	11515*	PLAQUETTES FREIN AV/AR 125 4 T	BRAKE PADS FRONT/REAR 125 4T	JUEGO PASTILLAS DEL/TRAS 1254T
4	11520*	11520*	KIT RESSORTS PLAQUETTES	SPRING PADS SET	KIT MUELLES PASTILLAS
5	11521*	11521*	KIT SOUFFLETS AXE ETRIER	PIN BOLT KIT	PERNO FIJACIÓN FRENO
6	11516*	11516*	KIT PURGEUR	BLEEDER KIT	TORNILLO SANGRADOR
7	11118*	11118*	DURIT ETRIER AR / MAITRE CYLAR	BRAKE HOSE REAR CALIPER / REAR MASTER CYL	LATIGUILLO FRENO TRASERO PINZA / BOMBA
8	11506*	11506*	INTERRUPTEUR FREIN AR	REAR BRAKE SWITCH	INTERUPTOR FRENO TRASERO
9	R074	R074	RONDELLE BANJO CUIVRE 10X14X1,5	WASHER COPPER 10X14X1.5	ARANDELLA BANJO COBRE 10X14X1.5
10	R059	R059	VIS RACCORD M10X21	BANJO BOLT M10X21	TORNILLO RACORD M10X21
11	11119*	11119*	DURITE MAITRE CYLAR / DISTRIBUTEUR	BRAKE HOSE REAR MASTER CYLINDER / DISTRIBUTOR	LATIGUILLO BOMBA FRENO TRASERA / DISTRIBUIDOR
12	11121*	11121*	MAITRE CYLINDRE ARRIERE	REAR PUMP ASSY	BOMBA FRENO TRASERA
13	4661	4661	BOCAL LIQUIDE DE FREIN	BRAKE FLUID TANK	DEPOSITO LÍQUIDO FRENO
14	11513*	11513*	DURITE LIQUIDE DE FREIN	BRAKE FLUID HOSE	TUBO LÍQUIDO FRENO
15	11511	11511	CLIP DOUBLE FIL	CLIP DOUBLE FIL	CLIP DOUBLE FIL
16	11514*	11514*	KIT PISTON MAITRE CYLINDRE AR	PISTON KIT MASTER CYLINDER	KIT REPARACIÓN BOMBA FRENO
17	11120*	11120*	DISTRIBUTEUR FREIN	BRAKE DISTRIBUTOR	DISTRIBUIDOR FRENO
18	11117*	11117*	DURIT ETRIER AV/DISTRIBUTEUR	BRAKE HOSE FRONT CALIPER / DISTRIBUTOR	LATIGUILLO FRENO DELANTERO PINZA / DISTRIBUIDOR
19	11507*	11507*	ETRIER AV	FRONT CALIPER	PINZA FRENO DELANTERA
20	11116*	11116*	DURITE MAITRE CYLAR / DISTRIBUTEUR	BRAKE HOSE FRONT MASTER CYL / DISTRIBUTOR	LATIGUILLO FRENO DELANTERO BOMBA / DISTRIBUIDOR
21	11122	11122	MAITRE CYLINDRE AVANT	FRONT PUMP ASSY	BOMBA FRENO DELANTERA
22	11529*	11529*	KIT REPARATION MAITRE CYLINDRE FREIN AV	KIT REPAIR FRONT BRAKE MASTER CYLINDER	KIT REPARACIÓN BOMBA FRENO DELANTERA
23	11528*	11528*	KIT LEVIER FREIN AV	FRONT BRAKE LEVER KIT	KIT MANETA FRENO DELANTERO
24	H122	H122	CHAPE PEDALE FREIN	BRAKE PEDAL BALANCE BEAM	HORQUILLA PEDAL FRENO
25	M309	M309	ECROU STANDARD M6	NUT M6	TUERCA M6
26	0374	0374	TIGE FREIN AR END	REAR BRAKE PUSHROD END	BARILLA FRENO TRASERO END
27	H411	H411	PEDALE FREIN ALU 50/125 06	REAR BRAKE PEDAL	PEDAL DE FRENO TRASERO
28	2153	2153	EMBOUT PEDAL FREIN END EVO	POINT BRAKE PEDAL END EVO	PUNTERA PEDAL FRENO END EVO
29	M278	M278	VIS BHC 5 X10	SCREW BHC 5X10	TORNILLO 5 X 10
30	1049	1049	VIS BUTEE DE FREIN AR 50 END SM	REAR BRAKE SCREW 50 END SM	TORNILLO
31	8590	8590	PEDALE FREIN ALU 50 SE SM COMPLETE	COMPLETE REAR BRAKE PEDAL 50 SE SM	PEDAL FRENO TRAS. COMP.50 SE SM
32	H123	H123	ENTRETOISE PEDALE FREIN	REAR BRAKE PEDAL BRACE	CASQUILLO PEDAL FRENO
33	C430	C430	RONDELLE M8	WASHER M8	ARANDELA M8
34	M305	M305	ECROU NYLSTOP M8	NUT NYLSTOP M8	TUERCA NYLSTOP M8
35	C406	C406	VIS CHC M8 X 50	SCREW CHC M8 X 50	TORNILLO CHC M8 X 50

* —| NOUVELLE PIECE / NEW PART / PIEZA NUEVA

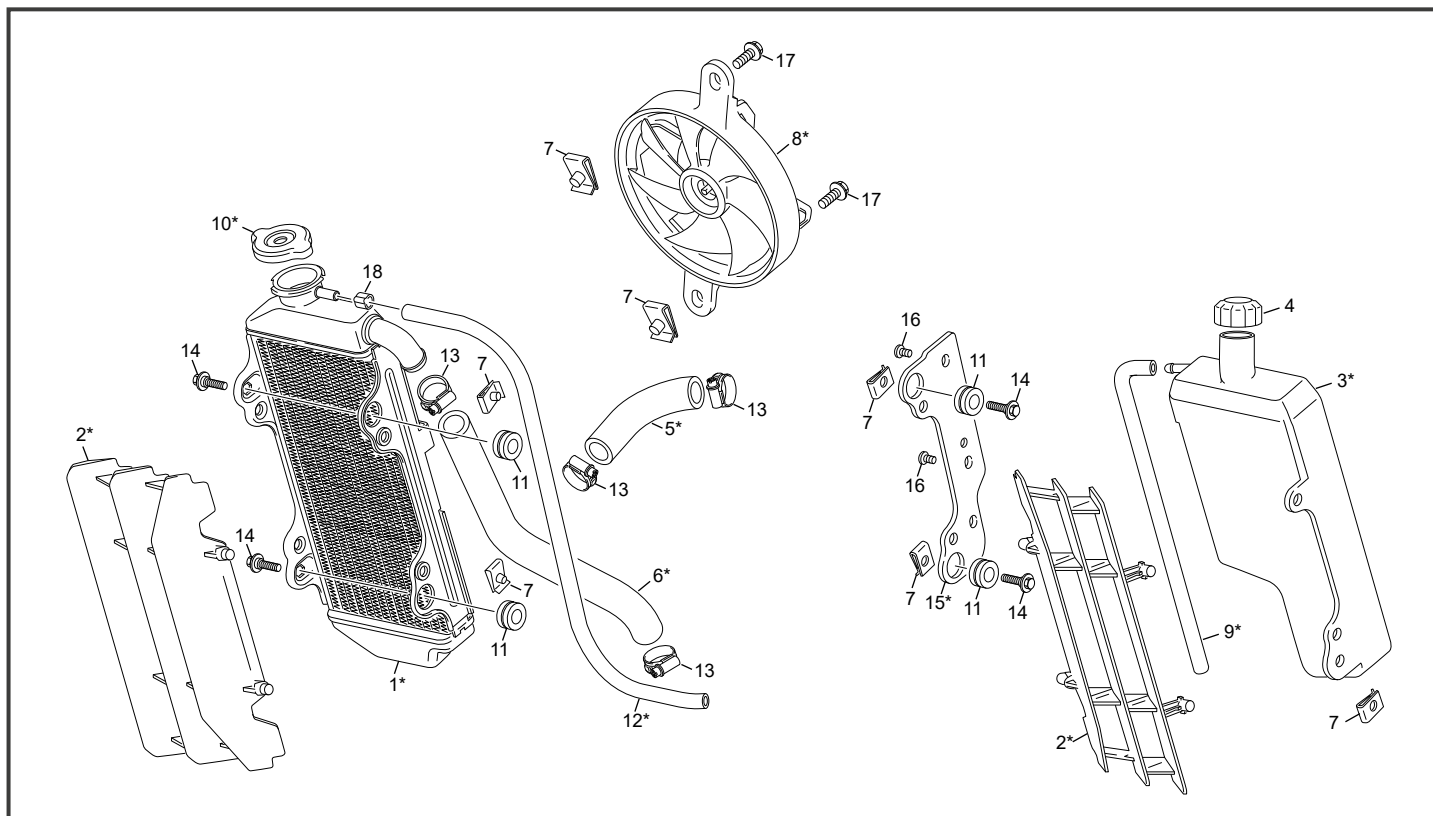
Boîte filtre - échappement Air filter box - exhaust system / Caja filtro - escape



POS.	HRD-SM-FACT-RS	HRD-SE-FACT-RS	FRANÇAIS	ENGLISH	ESPAÑOL
1	10324*	10324*	COLLECTEUR ECHAPPEMENT	EXHAUST HEADER	ESCAPE
2	8781	8781	ECROU EMBASE CRANTEE M8	HEX NUT M8	TUERCA CON VALONA M8
3	10593*	10593*	PROTECTION THERMIQUE ECHAPPEMENT	THERMIC PROTECTOR EXHAUST	PROTECTOR TÉRMICO ESCAPE
4	H005*	H005*	RONDELLE ISOLANTE	INSULATING WASHER	ARANDELA AISLANTE
5	2986	2986	VIS BHC M6X12	SCREW BHC M6X12	TORNILLO BHC M6X12
6	11067*	11067*	COLLIER ECHAPPEMENT 32-35	EXHAUST COLLAR 32-35	COLLAR ESCAPE 32-35
7	10325*	10325*	SILENCIEUX 125 4T EURO5	SILENCER 125 4T EURO5	SILENCIOSO 125 4T EURO5
8	0546	0546	VIS TH EP 6 X 20	SCREW TH EP 6 X 20	TORNILLO TH EP 6 X 20
9	4939	4939	RONDELLE M6 X 22 INOX	WASHER M6 X 22 INOX	ARANDELA M6 X 22 INOX
10	0274	0274	SILENT BLOC SILENCIEUX	SILENBLOC SILENCER	SILENBLOC SILENCIOSO
11	M308	M308	ECROU CLIP M6	NUT CLIP M6	TUERCA CLIP M6
12	0595	0595	COLLIER 40-60	COLLAR 40-60	BRIDA 40-60
13	10319*	10319*	MANCHON FILTRE AIR 125 4T	AIR FILTER SLEEVE 125 4T	TUBERA CAJA FILTRO 125 4T
14	10320*	10320*	RESONATEUR MANCHON 125 4T	MANIFOLD RESONATOR 125 4T	RESONADOR DE MANGA 125 4T
15	8992*	8992*	BOITE FILTRE AIR INFERIEURE 125 4T	AIR FILTER BOX BOTTOM 125 4T	CAJA DE FILTRO INFERIOR 125 4T
16	10707*	10707*	JOINT BOITE FILTRE	AIR BOX GASKET	JUNTA CAJA AIRE
17	10377*	10377*	BOITE FILTRE AIR SUPERIEURE	AIR FILTER BOX TOP	CAJA DE FILTRO SUPERIOR
18	10318*	10318*	FILTRE AIR PAPIER	PAPER AIR FILTER	FILTRO DE AIRE DE PAPEL
19	10521*	10521*	JOINT COUVERCLE BOITE FILTRE	AIR FILTER BOX COVER GASKET	JUNTA TAPA DE CAJA AIRE
20	10371*	10371*	COUVERCLE BOITE FILTRE AIR	AIR FILTER BOX COVER	TAPA CAJA DE FILTRO
21	0553	0553	VIS THEP M5X12	SCREW THEP M5X12	TORNILLO THEP M5X12
22	10992*	10992*	VIS PLASTIQUE M 3.5 X 16 BOITE FILTRE	PLASTIC SCREW 3.5 X 16 FILTER BOX	TORNILLO PLASTICO 3.5 X 16 CAJA DE FILTRO
23	0656	0656	VIS THEP M6X16	SCREW THEP M6X16	TORNILLO THEP M6X16
24	10520*	10520*	MOUSSE ADHESIVE SUPPORT BATTERIE	ADHESIVE FOAM SUPPORT BATTERY	ADHESIVO ESPUMA SOPORTE BATERÍA
25	H059	H059	PASSE FIL	GROMMET	SILENTBLOCK

* NOUVELLE PIECE
NEW PART
PIEZA NUEVA

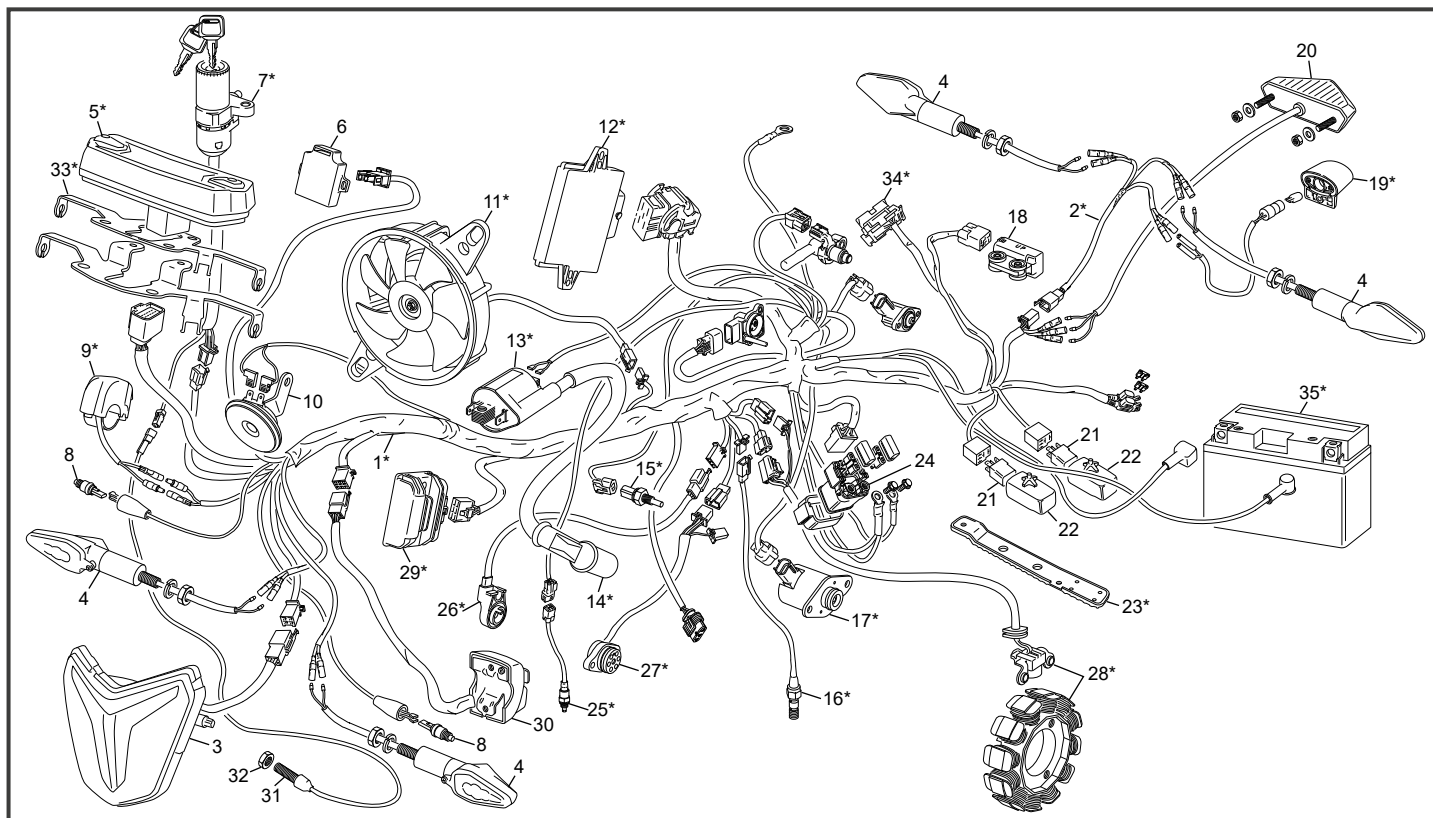
Radiateur Radiator / Radiador



POS.	HRD-SM-FACT-RS	HRD-SE-FACT-RS	FRANÇAIS	ENGLISH	ESPAÑOL
1	10327*	10327*	RADIATEUR 125 4T	RADIATOR 125 4T	RADIADOR 125 4T
2	11229*	11229*	GRILLE RADIATEUR G/D SYMETRIQUE	SYMETRICAL RADIATOR PROTECTOR L/R	GRILLA RADIADOR IZQ/DER SIMÉTRICO
3	9015*	9015*	VASE D'EXPANSION	EXPANSION TANK	VASO DE EXPANSIÓN
4	0748	0748	BOUCHON VASE EXPANSION	EXPANSION TANK CAP	TAPÓN VASO EXPANSIÓN
5	10514*	10514*	DURITE INF. RADIATEUR	LOWER RADIATOR HOSE	TUBO RADIADOR INFERIOR
6	10515*	10515*	DURITE SUP. RADIATEUR	TOP RADIATOR HOSE	TUBO SUPERIOR RADIADOR
7	M308	M308	ECROU CLIP M6	NUT CLIP M6	TUERCA CLIP M6
8	10328*	10328*	KIT VENTILATEUR	KIT FAN	KIT VENTILADOR
9	10330*	10330*	DURITE EXPANSION RADIATEUR SUP	EXPANSION HOSE RADIATOR TOP	TUBO EXPANSIÓN RADIADOR SUP
10	11519*	11519*	BOUCHON RADIATEUR 2 OREILLES	2 EARS RADIATOR TAP	TAPÓN RADIADOR 2 OREJAS
11	H059	H059	SILENT BLOC RADIATEUR	RADIATOR SILENTBLOCK	SILENTBLOCK RADIADOR
12	10329*	10329*	DURITE EXPANSION RADIATEUR INF	EXPANSION PIPE RADIATOR BOTTOM	TUBO EXPANSIÓN RADIADOR INF
13	0281	0281	COLLIER K025 FIXATION DURITE	COLLAR K025 HOSE RADIATOR	BRIDA K025 TUBO RADIADOR
14	8601	8601	VIS TH EP 6 X 20 EPAULE	SREW TH EP 6 X 20 SPECIAL	TORNILLO TH EP 6 X 20 ESPECIAL
15	10404*	10404*	SUPPORT VASE EXPANSION	WATER TANK BRACKET	SOPORTE DEPÓSITO DE AGUA
16	3554	3554	VIS BHC M6X8	VIS BHC M6X8	TORNILLO BHC M6X8
17	0656	0656	VIS TH EP 6 X 16	SCREW TH EP 6 X 16	TORNILLO TH EP 6 X 16
18	5569	5569	COLLIER COBRA 9	COLLAR COBRA 9	ABRAZADERA COBRA 9

* NOUVELLE PIECE
NEW PART
PIEZA NUEVA

Faisceau électrique Electrical system / Instalación eléctrica

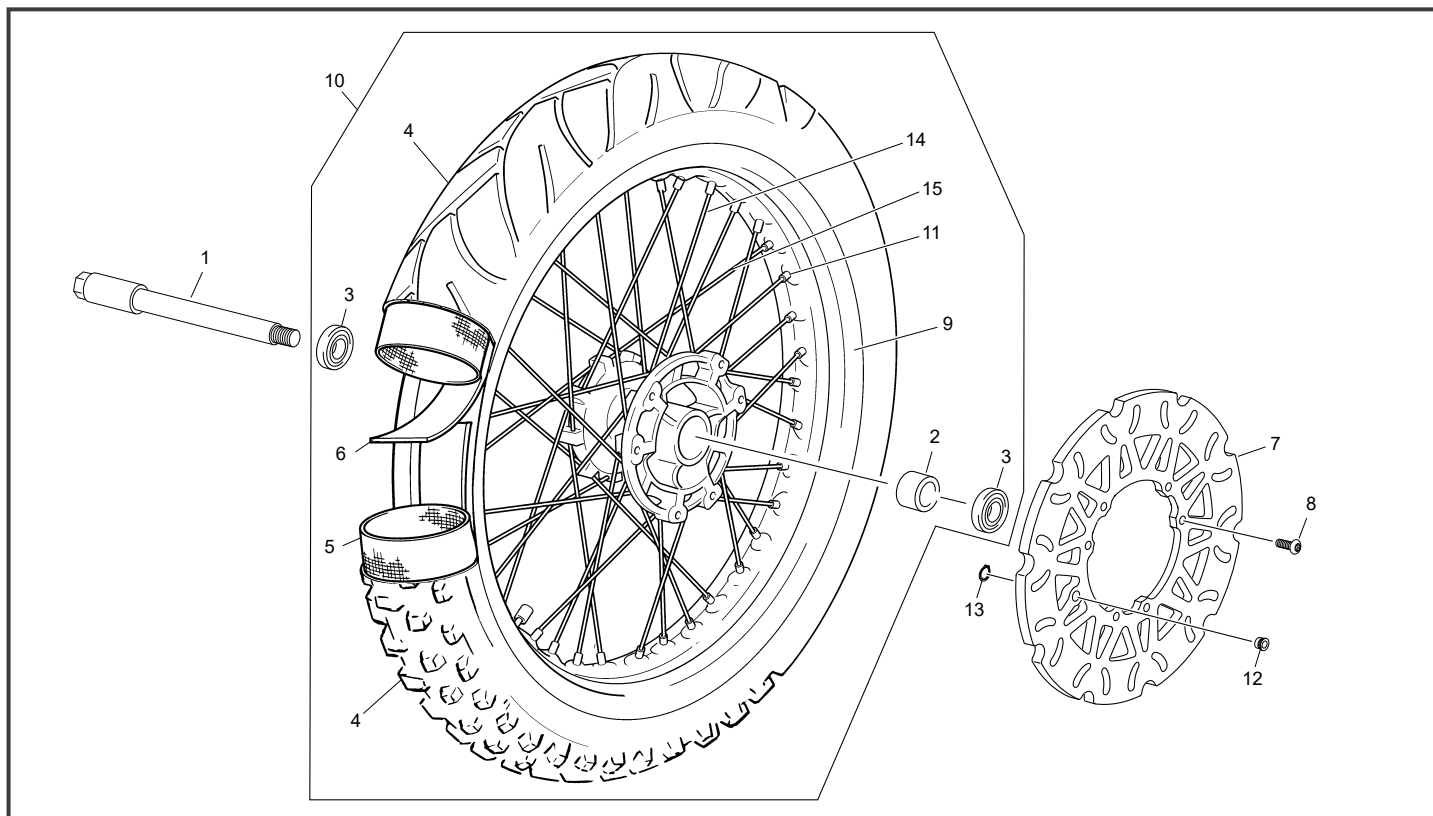


POS.	HRD-SM-FACT-RS	HRD-SE-FACT-RS	FRANÇAIS	ENGLISH	ESPAÑOL
1	10312*	10312*	FAISCEAU ELECTRIQUE 125 4T	WIRE HARNESS 125 4T	INSTALACIÓN ELÉCTRICA COMPLETA 125 4T
2	11517*	11517*	FAISCEAU ELECTRIQUE AR 125 4T	WIRE HARNESS REAR PART 125 4T	INSTALACIÓN ELÉCTRICA PARTE TRASERA 125 4T
3	10274*	10274*	OPTIQUE PHARE END/SM LED 2023	FRONT LIGHT OPTICAL END/SM LED 2023	FARO DEL END/SM LED 2023
4	9954	9954	CLIGNOTEUR DROIT ET GAUCHE LONG 50 END EVO	TURN LIGHT LEFT RIGHT LONG END 50 EVO	INTERMITENTE IZQUIERDO DERECHO LARGO 50 END 12 EVO
5	10322*	10322*	COMPTEUR DE VITESSE 125 4T	SPEDOMETER END/SM 125 4T	VELOCÍMETRO END/SM 125 4T
6	0364	0364	CENTRALE CLIGNOT END 450	INDICATIVE LIGHT SYSTEM END 450	CENTRAL INTERMITENCIA END 450
7	10331*	10331*	BOUCHON ESSENCE + CONTACTEUR DEM 125 4T	PETROL CAP + BLOC KEY STARTER 125 4T	TAPÓN GASOLINA + BLOC LLAVE ARRANQUE 125 4T
8	R354	R354	CONTACTEUR FREIN AV 50 END	FRONT BRAKE ELECTRIC CONTACT 50 END	INTERRUPTOR FRENO DEL 50 END
9	H152	H152	BOUTON DEMARREUR DROIT 125 END SM	RIGHT START ELECTRIC COMMANDS 125 END SM	COMANDO ARRANQUE DERECHO 125 END SM
10	9212	9212	KLAXON END COUDE SE/SEF/50CC	HORN END CUBIT SE/SEF/50CC	CLAXON CODO SE/SEF/50CC
11	10328*	10328*	KIT VENTILATEUR 125 4T	KIT FAN 125 4T	KIT VENTILADOR 125 4T
12	11278*	11278*	ECU	C.D.I. UNIT	ECU
13	11277*	11277*	BOBINE D'ALLUMAGE	IGNITION COIL ASSY	BOBINA ENCENDIDO
14	10932*	10932*	ANTIPARASITE CHAMPION CPL SE SANS OLIVE	CHAMPION SPARK PLUG CUP ASSY SE SANS OLIVE	CTO. PIPA BUJIA SE CAMPEÓN SIN ACEITUNA
15	10785*	10785*	CAPTEUR EAU 125 4T MINA	SENSOR WATER 125 4T MINA	SENSOR AGUA 125 4T MINA
16	10786*	10786*	SONDE LAMBDA 125 4T MINA	LAMBDA SENOR 125 4T MINA	SENSOR LAMBDA 125 4T MINA
17	11368*	11368*	BOBINE DE SOLENOIDE	SOLENOID COIL ASSY	BOBINA SOLENOIDE
18	6909	6909	CAPTEUR D ANGLE SEF	TTL SENSOR	SENSOR DE ANGULO SEF
19	11002*	11002*	FEU ECLAIRAGE PLAQUE EVO	PLATE NUMBER REAR LIGHT EVO	FARO TRAS. HOMOLO EVO
20	3506	3506	FEU AR END 450 2012	RACING REAR LIGHT END 450 2012	RACING FARO TRAS END 450 2012
21	5095	5095	RELAIS ECU SYN END	SYN ECU RELEY END	RELE ECU SYN END
22	1291	1291	SUPPORT RELAIS END	HOLDER RELAY END	SUPPORTO RELE END
23	11043*	11043*	SUPPORT RELAIS & FUSIBLE SH125	RELAY & FUSE BRACKET SH125	SUPPORTO RELÉ Y MECHA SH125
24	0367	0367	RELAIS DEMARREUR END	STARTER RELAY END	STARTER RELÉ END
25	11506*	11506*	INTERRUPTEUR FREIN 125 4T	BRAKE ELECTRIC CONTACT 125 4T	INTERRUPTOR FRENO 125 4T
26	10791*	10791*	CONTACTEUR DE BEQUILLE 125 4T	STAND SWITCH 125 4T	INTERRUPTOR CABALLETE 125 4T
27	11355*	11355*	ENSEMBLE COMMUTATEUR NEUTRE	NEUTRAL SWITCH ASSY	CONJUNTO DEL INTERRUPTOR DE NEUTRO
28	11271*	11271*	STATOR	STATOR ASSY	STATOR
29	11378*	11378*	REGULATEUR DE TENSION	RECTIFIER REGULETOR ASS	REGULADOR DE TENSIÓN
30	H431	H431	COMMODO ELECTRIQUE 50	ELECTRONIC COMMAND 50	COMANDO ELÉCTRICO 50
31	7531	7531	CAPTEUR ET CABLE FACOMSA	SENSOR AND CABLE	SONDA REED END/SM EURO 4
32	3481	3481	ECROU BAS M8 ZI BLANC	NUT M8	TUERCA M8
33	10713*	10713*	SUPPORT COMPTEUR 125 RS FACOMSA	SPEEDO METER HOLDER 125 RS FACOMSA	SUPORTE VELOCÍMETRO 125 RS FACOMSA
34	11518*	11518*	BOUCHON OBD 125 4T	OBD ELECTRICAL CAP 125 4T	TAPÓN ELÉCTRICA OBD 125 4T
35	10708*	10708*	BATTERIE BTX 4L BS+ 4AMP LEAD 125	BATTERY BTX 4L BS+ 4AMP LEAD 125	BATERÍA BTX 4L BS+ 4AMP LEAD 125

* —| NOUVELLE PIECE / NEW PART / PIEZA NUEVA

*Sherco se réserve les droits de modification des références, merci de contrôler sur le portail Sherconetwork avant toute commande. - *Sherco reserves the right to make change on the references, please check on your Sherconetwork portal before ordering.
*Sherco se reserva el derecho para hacer modificaciones sobre las referencias. Por favor, verifica en el Sherconetwork antes de hacer un pedido.

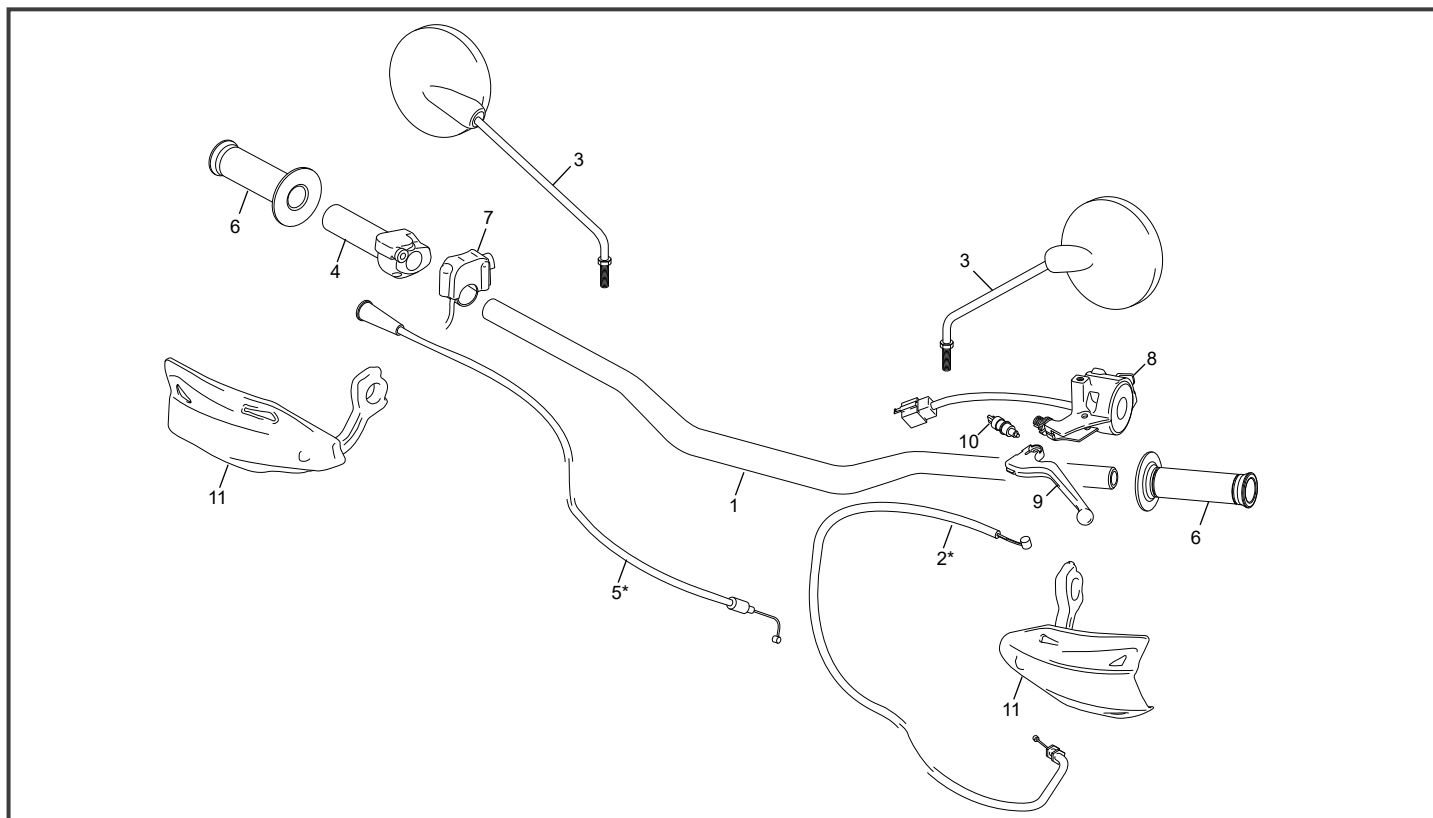
Roue avant Front wheel / Rueda delantera



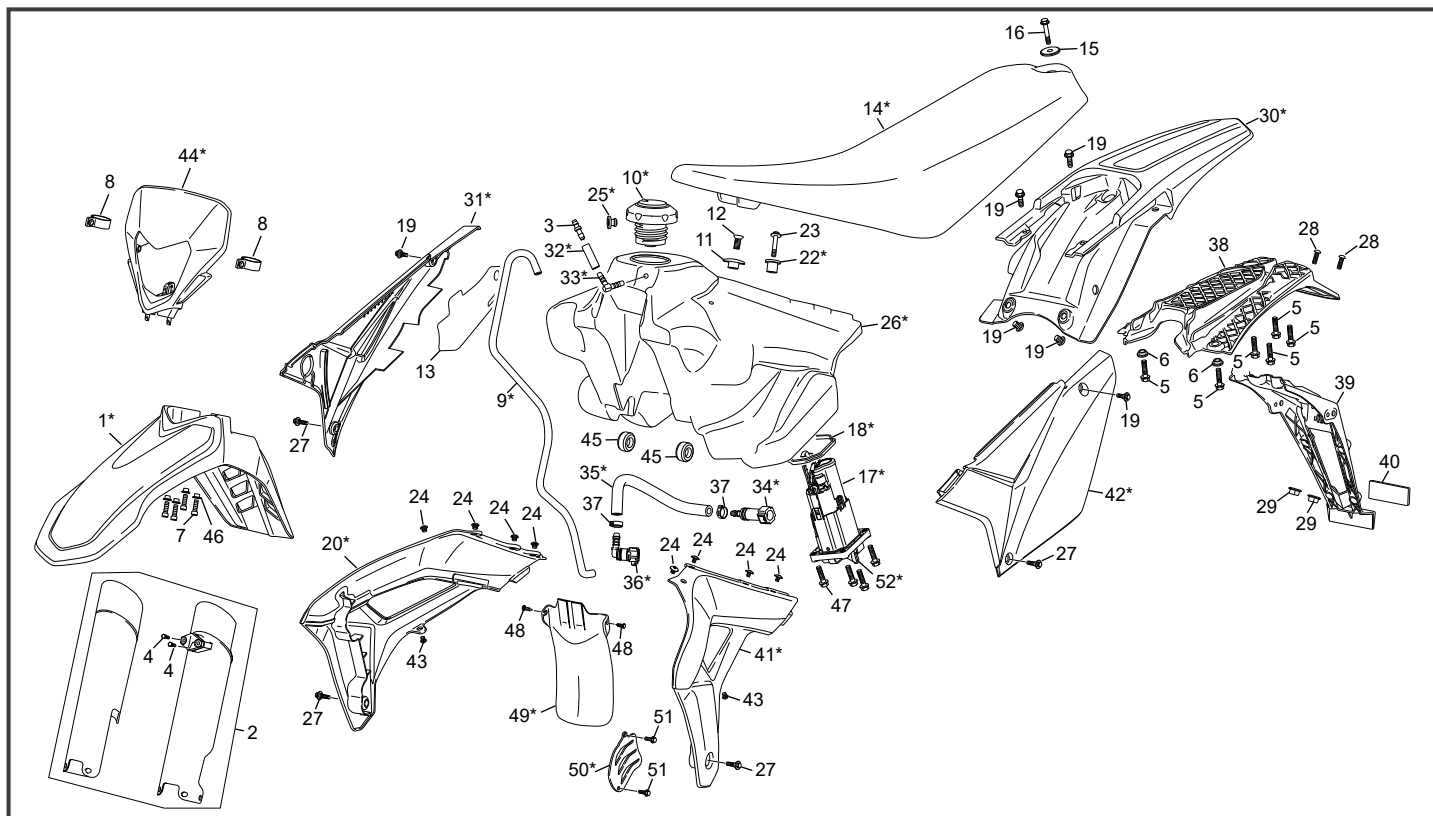
POS.	HRD-SM-FACT-RS	HRD-SE-FACT-RS	FRANÇAIS	ENGLISH	ESPAÑOL
1	7322	7322	AXE ROUE AVANT 125 RS	FRONT WHEEL AXLE 125 RS	EJE RUEDA DELANTERA 125 RS
2	7323	7323	ENTRETOISE ROUE AVANT BASE 125 RS	FRONT WHEEL SPACER BASE 125 RS	ARANDELA RUEDA DEL. BASE 125 RS
3	R360	R360	ROULEMENT MOYEU AV.	HUB BEARING	RODAMIENTO BUJE
4	H080	----	PNEU AV. SM 100/80.17	FRONT TYRE SM 100/80.17	NEUMÁTICO DEL. SM 100/80.17
4	----	H084	PNEU AV. END 90/90.21	FRONT TYRE END 90/90.21	NEUMÁTICO DEL. END 90/90.21
5	H081	----	CHAMBRE AV. SM 300 X 17	FRONT INNER TUBE SM 300 X 17	CÁMARA DELANTERA SM 300 X 17
5	----	H077	CHAMBRE AV. END 300 X 21	FRONT INNER TUBE END 300 X 21	CÁMARA DEL. END 300 X 21
6	H247	H078	CORDON JANTE AV. END	FRONT RIM RUBBER BAND END	BANDA LLANTA DEL. END
7	----	7273	DISQUE AV. 50/125 END 260MM EVO	BRAKE DISK 50/125 END 260MM EVO	DISCO DEL. 50/125 END 260MM EVO
7	7272	----	DISQUE AV. SM 50/125 300MM EVO	BRAKE DISK SM 50/125 300MM EVO	DISCO DEL. SM 50/125 300MM EVO
8	M252	M252	VIS CHC M6 X 20	SCREW CHC M6 X 20	TORNILLO CHC M6 X 20
9	11041*	----	ROUE AVANT SM RAYON NOIRE SANS PNEU	FRONT WHEEL SM RAYON BLACK WITHOUT TYRE	RUEDA DEL. SM RAYON NEGRO SIN PNEUM.
9	----	11148*	ROUE AV 125 END USD NOIRE SANS PNEU	FRONT WHEEL 125 END USD BLACK WITHOUT TYRE	RUEDA DEL 125 END USD NEGRA SIN NEUM.
10	----	8302	ROUE AV. 125 END NOIRE AVEC PNEU	FRONT WHEEL 125 END BLACK WITH TYRE	RUEDA DEL. 125 END NEGRA CON NEUM.
10	7447	----	ROUE AV. 125 SM RAYON AVEC PNEU	FRONT WHEEL 125 SM RAYON WITH TYRE	RUEDA DEL. 125 SM RAYON CON NEUM.
11	----	3398	ÉCROU RAYON END	NEEPL SPOCKE	TUERCA RADIO
12	7533	7533	AIMANT FACOMSA	MAGNETIC BOLT FACOMSA	IMÁN SENSOR FACOMSA
13	7532	7532	CIRCLIP AIMANT FACOMSA	CIRCLIP FACOMSA	CIRCLIP FACOMSA
14	10589	7992	RAYON END L250 COTÉ DISQUE	SPOCKE END L250 DISK SIDE	RADIO END L250 DISCO
15	----	7993	RAYON END L252 COTÉ DROIT	SPOCKE END L252 RIGHT SIDE	RADIO END L252 DERECHA

* NOUVELLE PIECE
NEW PART
PIEZA NUEVA

Guidon Handlebar / Manillar

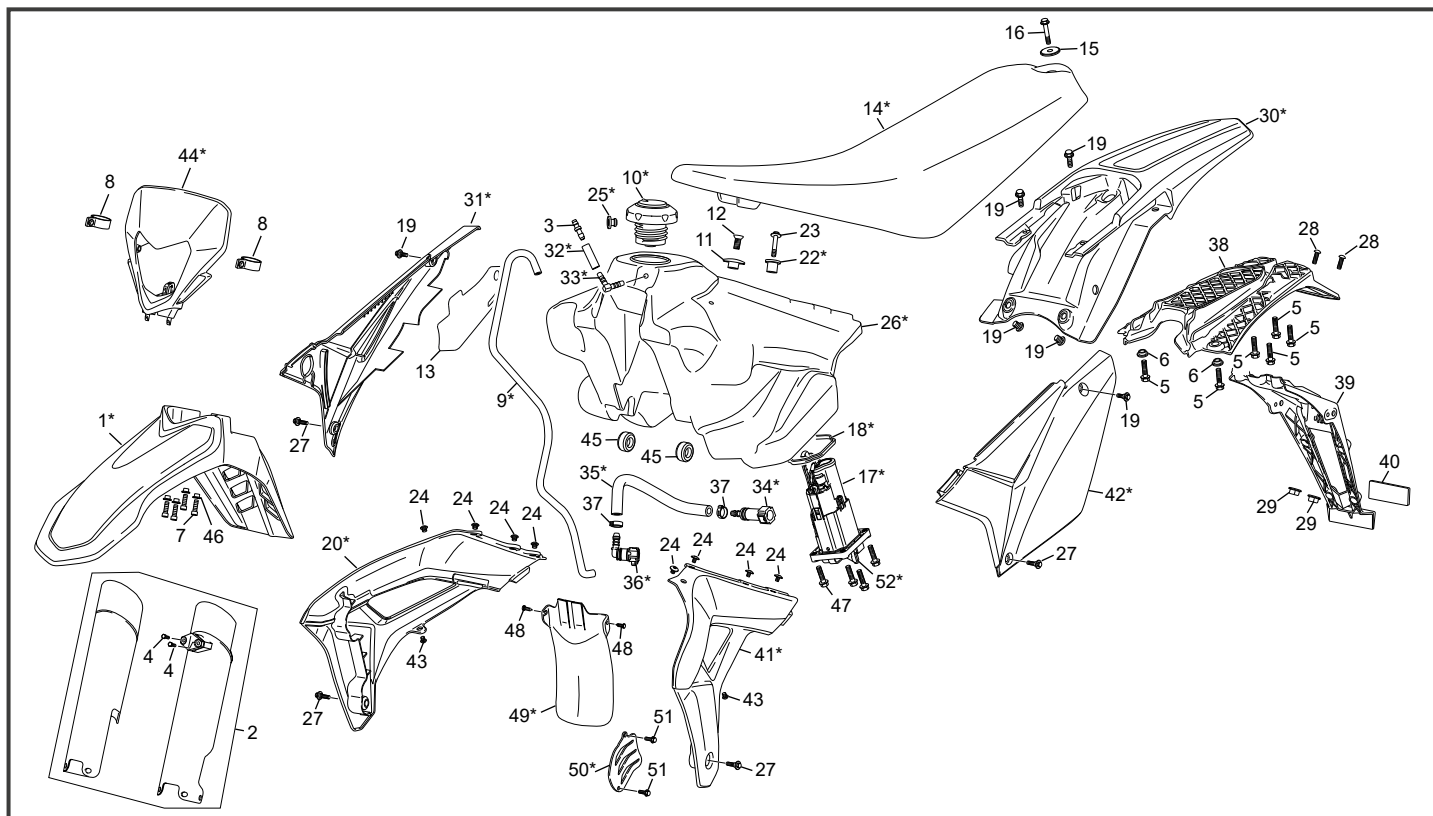


POS.	HRD-SM-FACT-RS	HRD-SE-FACT-RS	FRANÇAIS	ENGLISH	ESPAÑOL
1	6978	6978	GUIDON NOIR ANTHRACITE END EVO	BLACK ANTHRACITE HANDLE BAR	MANILLAR ANTRACITA
2	10852*	10852*	CABLE EMBRAYAGE	CLUTCH CABLE	CABLE DE EMBRAGUE
3	S232	S232	RETROVISEUR	MIRROR	RETROVISOR
4	C074	C074	COMMANDE DE GAZ OXIA	THROTTLE CONTROL OXIA	MANDO DE GAS OXIA
5	9014*	9014*	CABLE DE GAZ	THROTTLE CABLE	CABLE DE GAS
6	8472	8472	POIGNEE 50CC	GRIP SET 50CC	JUEGO EMPUNADURAS 50CC
7	H152	H152	BOUTON DEMARREUR DROIT	RIGHT START ELECTRIC COMMANDS	COMANDO ARANQUE DERECHO
8	4235	4235	COCOTTE EMBRAYAGE COMPLETE	CLUTCH COMMAND COMPLETE	MANDO EMBRAGUE COMPLETO
9	4236	4236	LEVIER EMBRAYAGE	CLUTCH LEVER	MANETA DE EMBRAGUE
10	R354	R354	CONTACTEUR EMBRAYAGE / FREIN	BRAKE / CLUTCH SWITCH	INTERRUPTOR
11	1034	1034	PARES MAINS BLEUS JEU	HAND GUARD BLUE SET	PARA MANO AZUL JUEGO



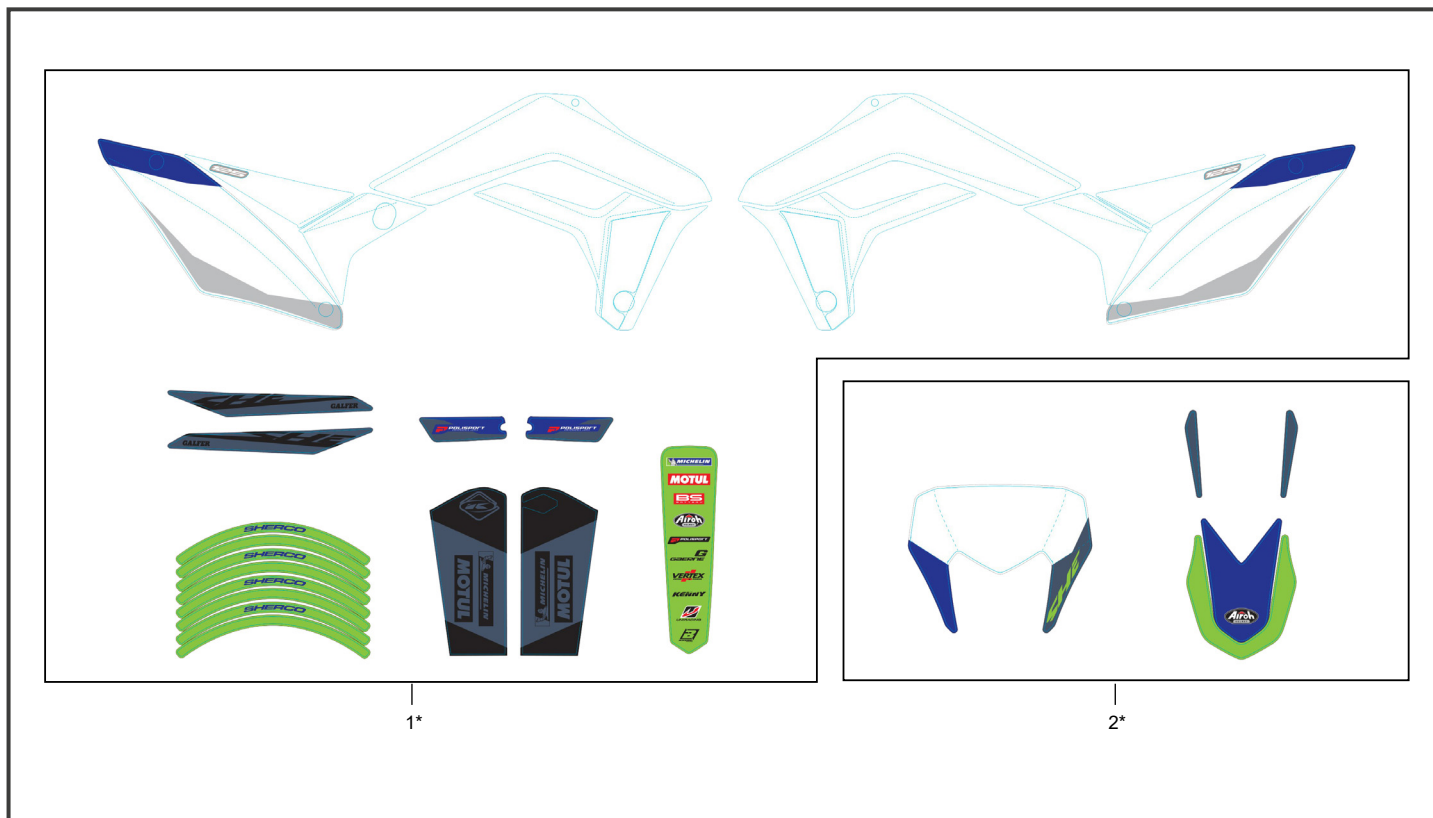
POS.	HRD-SM-RS	BLACK MOON SM-RS	HRD-SE-RS	FRANÇAIS	ENGLISH	ESPAÑOL
1	10333*	----	10333*	PARE BOUE AVANT BLEU 125 4T SM	BLUE FRONT MUDGUARD 125 4T SM	GUARDABARRO AZUL 125 4T SM
1	----	11089*	----	PARE BOUE AVANT NOIR 125 4T SM	BLACK FRONT MUDGUARD 125 4T SM	GUARDABARRO NEGRO 125 4T SM
2	9012	9012	9012	PROTECTEUR FOURCHE JEU	FORK PROTECTOR SET	PROTECTOR HORQUILLA JUEGO
3	5725	5725	5725	VALVE ANTI RETOUR PLASTIQUE	ANTI RETURN VALVE PLASTIK	ANTI RETURN VALVE PLASTIK
4	6757	6757	6757	VIS SPECIALE PROTECTEUR FOURCHE	FORK PROTECTOR BOLT	TORNILLO ESPECIAL PROTECTOR HORQUILLA
5	0546	0546	0546	VIS TH EP 6 X 20	SCREW TH EP 6 X 20	TORNILLO TH EP 6 X 20
6	3097	3097	3097	ENTRETOISE INOX CARROSSERIE	SPACER INOX BODY	CASQUILLO INOX CARROCERÍA
7	M251	M251	M251	VIS CHC 6 X 16	SCREW CHC 6 X 16	TORNILLO 6 X 16
8	H050	H050	H050	ELASTIQUE PLAQUE PHARE	FRONT LIGHT RUBBER BAND	ELASTICO PLACA FARO
9	10517*	10517*	10517*	DURITE CANISTER VALVE	PETROL TUBE CANISTER VALVE	TUBOS GASOLINA CANISTER VALVE
10	10331*	10331*	10331*	BOUCHON ESSENCE + CONTACTEUR DEM + CLES	PETROL CAP + CONTACTEUR DEM STARTER	TAPÓN GASOLINA + BLOC LLAVE ARRANQUE
11	0497	0497	0497	ENTRETOISE SELLE RESERVOIR	SPACER SEAT /TANK	CASQUILLO SILING DÉPÓSITO
12	0652	0652	0652	VIS FHC M6X25	SCREW FHC M6X25	TORNILLO FHC M6X25
13	6684	6684	6684	PROTECTION THERMIQUE PLAQUE LATÉRALE	THERMIC PROTECTOR SIDE NUMBER PLATE	PROTECTOR TÉRMICO PLACA LATERAL
14	10893*	10893*	10893*	SELLE NOIRE	SEAT BLACK	SILLÍN NEGRO
15	11038*	11038*	11038*	ENTRETOISE AR SELLE	REAR BRACE SEAT	CASQUILLO ASIEN TO TRAS
16	0547	0547	0547	VIS THEP M6X30	SCREW THEP M6X30	TORNILLO THEP M6X30
17	8995*	8995*	8995*	POMPE A ESSENCE	FUEL PUMP	BOMBA GASOLINA
18	11183*	11183*	11183*	JOINT POMPE A ESSENCE	FUEL PUMP GASKET	JUNTA BOMBA GASOLINA
19	5201	5201	5201	VIS THEP M6X16	SCREW THEP M6X16	TORNILLO THEP M6X16
20	9036	----	9036	OUIE DROITE BLEUE	RADIATOR SIDE PANEL BLUE	PLACA RADIADOR I DERE AZUL
20	----	11070*	----	OUIE DROITE NOIRE NOIRE NUE SE SEF	RADIATOR SIDE PANEL RIGHT BLACK BLACK NAKED SE SEF	PLACA RADIADOR I DERE ESE SEF DESNUDA NEGRA
21	M317	M317	M317	RONDELLE M6X12	WASHER M6X12	ARANDELA M6X12
22	11142*	11142*	11142*	ENTRETOISE FIXATION RESERVOIR	FUEL TANK SPACER	ESPACIADOR DEPOSITO
23	0549	0549	0549	VIS THEP M6X45	SCREW THEP M6X45	TORNILLO THEP M6X45
24	6812	6812	6812	VIS BHC M6X8	SCREW BHC M6X8	TORNILLO BHC M6X8
25	11112*	11112*	11112*	CAOUTCHOUX RENIFLARD RESERVOIR	FUEL TANK HOSE BLEEDER CAOUTCHOUX	GOMA TUBO BLOWBY DÉPÓSITO GASOLINA
26	8993*	8993*	8993*	RESERVOIR ESSENCE	FUEL TANK	DÉPÓSITO GASOLINA
27	5200	5200	5200	VIS THEP SPECIALE M6X20	SCREW THEP SPECIAL M6X20	TORNILLO ESPECIAL THEP M6X20
28	3679	3679	3679	VS BHC M6X20	SCREW BHC M6X20	TORNILLO BHC M6X20
29	2086	2086	2086	ECROU M6 EMBASE LISSE	HEX NUT FLAT BASIS M6	TUERCA CON VALONA BASE LISA
30	7304	----	7304	PARE BOUE ARRIERE BLEU	BLUE BACK MUDGUARD	GUARDABARRO TRA AZUL
30	----	11088*	----	PARE BOUE ARRIERE NOIR	BLACK BACK MUDGUARD	GUARDABARRO TRA NEGRO
31	9038	----	9038	PLAQUE LATÉRALE DROITE BLEUE	SIDE NUMBER PLATE R BLUE	PLACA N° DER AZUL
31	----	11073*	----	PLAQUE LATÉRALE DROITE NOIRE NOIRE NUE SE SEF	SIDE NUMBER PLATE RIGHT BLACK NAKED SE SEF	PLACA N° DERE. NEGRO NEGRO DESNUDA SE SEF

*Sherco se réserve les droits de modification des références, merci de contrôler sur le portail Sherconetwork avant toute commande. - *Sherco reserves the right to make change on the references, please check on your Sherconetwork portal before ordering.
*Sherco se reserva el derecho para hacer modificaciones sobre las referencias. Por favor, verifica en el Sherconetwork antes de hacer un pedido.



POS.	HRD-SM-RS	BLACK MOON SH-RS	HRD-SE-RS	FRANÇAIS	ENGLISH	ESPAÑOL
32	10516*	10516*	10516*	DURITE RESERVOIR VALVE	PETROL TUBE TANK VALVE	TUBOS GASOLINA SREBATORION
33	11113*	11113*	11113*	RACCORD RENIFLARD RESERVOIR 90°	FUEL TANK HOSE BLEEDER CONNECTOR	CONEXIÓN TUBO BLOWBY DÉPÓSITO GASOLINA
34	10295*	10295*	10295*	RACCORD RAPIDE FEMELLE POMPE DROIT	FAST FUEL PUMP CONEXION FEMALE	CONECTOR TUBO RÁPIDO HEMBRA
35	11065*	11065*	11065*	DURITE ESSENCE Ø6.5 X 190	PETROL TUBE Ø6.5 X 190	TUBO GASOLINA Ø6.5 X 190
36	10958*	10958*	10958*	RACCORD RAPIDE ESSENCE 90°	FAST FUEL CONNECTOR 90°	CONECTOR GASOLINA RÁPIDO 90°
37	H263	H263	H263	COLLIER CLIC 66/125 13.5	COLLAR 66/125 13.5	ABRAZADERA 66/125 13.5
38	6512	6512	6512	BAVETTE FEU AR	REAR NUMBER PLATE HOLDER	PORTAMATRÍCULA TRASERO
39	3549	3549	3549	SUPPORT PLAQUE IMMATRICULATION	SUPPORT NUMBER PLATE	SOPORTE PLACA IMMATRICULACIÓN
40	1526	1526	1526	CATADIOPTRE ROUGE AR	REAR RED REFLECTORS	REFLECTORES ROJO TRAS.
41	----	11071*	----	OUIE GAUCHE NOIRE	RADIATOR SIDE PANEL L BLACK	PLACA RADIADOR IZQU. NEGRO
41	9037	----	9037	OUIE GAUCHE BLEUE	RADIATOR SIDE PANEL L BLUE	PLACA RADIADOR IZQU. AZUL
42	----	11072*	----	PLAQUE LATERALE GAUCHE NOIRE NOIRE NUE SE SEF	SIDE NUMBER PLATE L BLACK NAKED SE SEF	PLACA NO IZQ. NEGRO
42	9039	----	9039	PLAQUE LATERALE GAUCHE BLEUE	SIDE NUMBER PLATE L BLUE	PLACA NO IZQ. AZUL
43	3554	3554	3554	VIS BHC 6 X 8 EMBASE	SCREW BHC 6 X 8	TORNILLO 6 X8 BHC
44	-----	11090*	-----	PLAQUE PHARE NOIRE	FRONT LIGHT PLASTIC SE SEF 2024 BLACK	PLACA FARO SE SEF 2024 NEGRO
44	11561*	----	11561*	PLAQUE PHARE BLANCHE SE SEF 2024	FRONT LIGHT PLASTIC SE SEF 2024 WHITE	PLACA FARO SE SEF 2024 BLANCO
45	H051	H051	H051	BUTEE RESERVOIR 125	PETROL TANK STOPPER 125	TOPE DÉPÓSITO 125
46	6756	6756	6756	ENTRETOISE PROTECTION FOURCHE	SPACER BODY	CASQUILLO CARROCERÍA
47	0554	0554	0554	VIS TH EP 5 X 20	SCREW TH EP 5 X 20	TORNILLO TH EP 5 X 20
48	3555	3555	3555	VIS PLASTIQUE DELTA 5 X18	PLASTIC SCREW 5 X18	TORNILLO PLASTICO 5X18
49	10513*	10513*	10513*	BAVETTE DE FILTRE 125 4T	BAVETTE FILTRE 125 4T	BAVETTE FILTRO 125 4T
50	10705*	10705*	10705*	CACHE PIGNON ALU SH125	DRIVE SPROCKET PROTECTOR SH125	PROTECTOR PIÑÓN SALIDA SH125
51	0656	0656	0656	VIS TH EP 6 X 16	SCREW TH EP 6 X 16	TORNILLO TH EP 6 X 16
52	11611*	11611*	11611*	RACCORD 90° SORTIE POMPE ESSENCE SC ST '23	FUEL CONNECTOR 90° PUMP SC ST '23	CONECTOR 90° SALIDA BOMBA GASOLINA SC ST '23

* NOUVELLE PIECE
NEW PART
PIEZA NUEVA

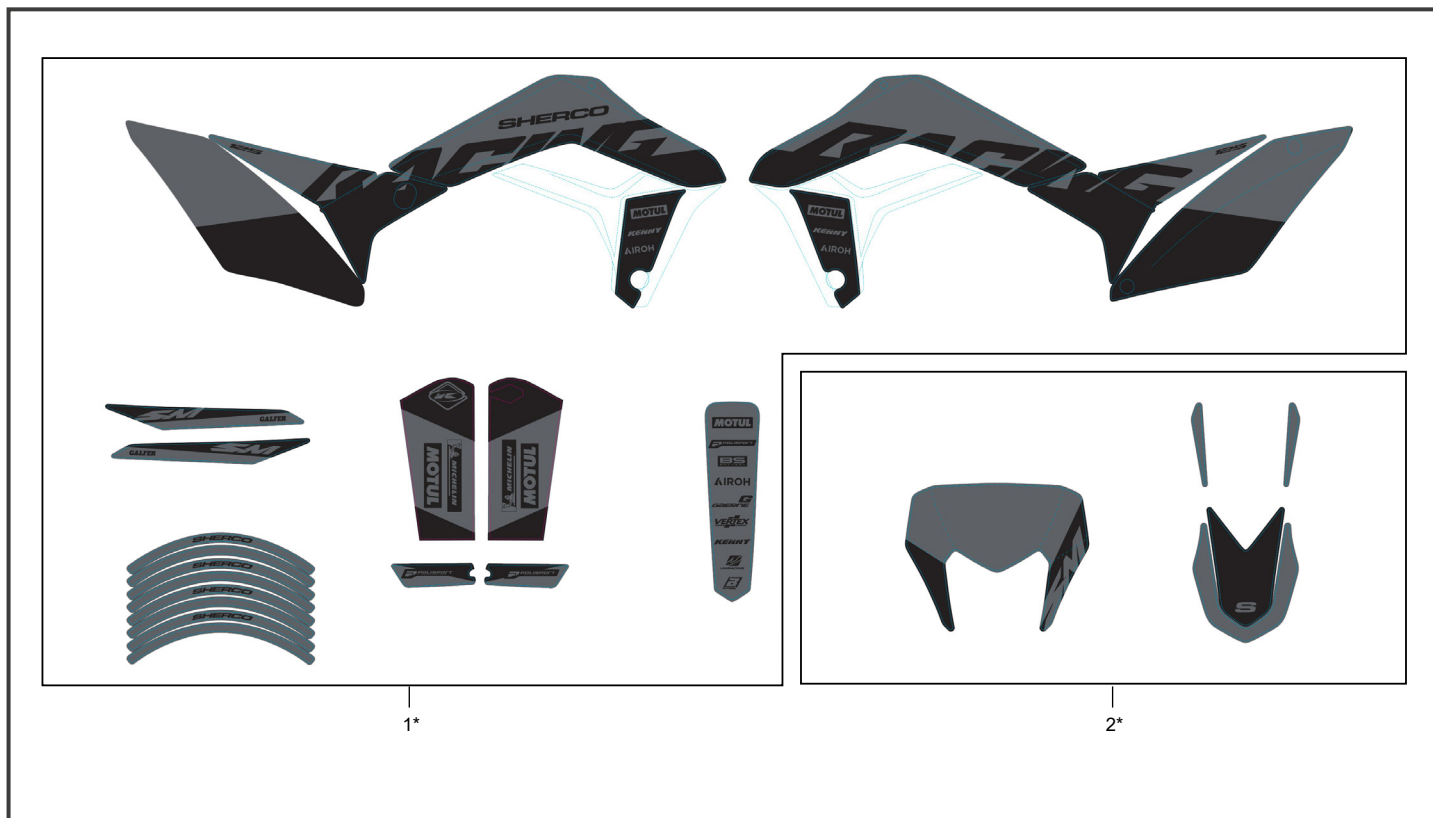


POS.	HRD-SM-RS	HRD-SE-RS	FRANÇAIS	ENGLISH	ESPAÑOL
1	11080*	11093*	KIT ADHESIF SHERCO 125 4T SM FACTORY RS 2023	PRODUCTION STICKER SHERCO 125 4T SM FACTORY RS 2023	PRODUCCIÓN KIT SHERCO 125 4T SM FACTORY RS 2023
2	11568*	11568*	KIT ADHESIF PLAQUES PHARE GB AV 125 4T FACTORY	FRONT LIGHT PLATE AND MUDGARD STICKER KIT 125 4T FACTORY	PLACA GARDABARO DELANTERO KIT ADHESIVOS 125 4T FACTORY

* NOUVELLE PIECE
NEW PART
PIEZA NUEVA

*Sherco se réserve les droits de modification des références, merci de contrôler sur le portail Sherconetwork avant toute commande. - *Sherco reserves the right to make change on the references, please check on your Sherconetwork portal before ordering.
*Sherco se reserva el derecho para hacer modificaciones sobre las referencias. Por favor, verifica en el Sherconetwork antes de hacer un pedido.

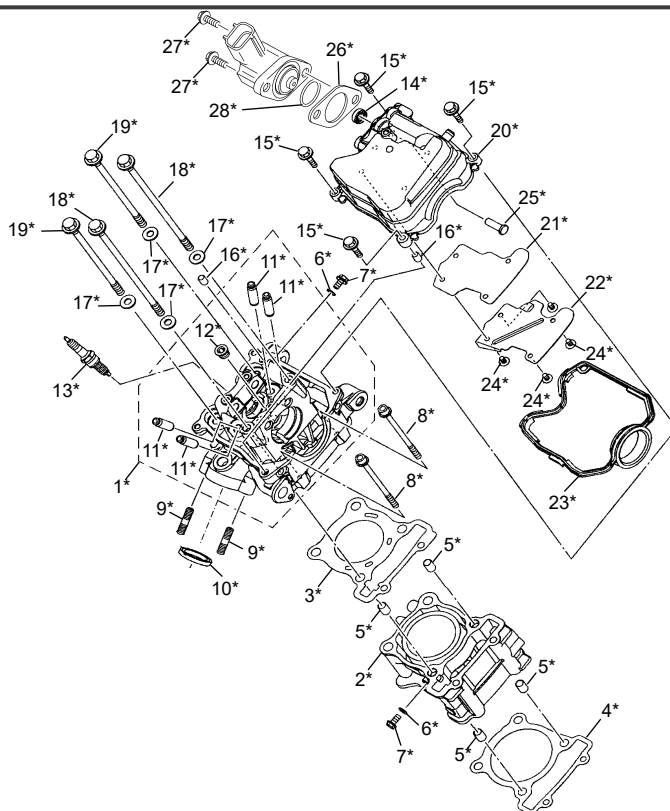
Adhésif BLACK MOON Sticker BLACK MOON / Adhesivo BLACK MOON



POS.	BLACK MOON SM-RS	FRANÇAIS	ENGLISH	ESPAÑOL
1	11081*	KIT ADHESIF SHERCO 125 4T SM BLACK MOON RS 2023	PRODUCTION STICKER SHERCO 125 4T SM GREY RS 2023	PRODUCCIÓN KIT SHERCO 125 4T SM GREY RS 2023
2	11569*	KIT ADHESIF PLAQUES PHARE GB AV 125 4T BLACK MOON	FRONT LIGHT PLATE AND MUDGARD STICKER KIT 125 4T BLACK MOON	PLACA GARDABARO DELANTERO KIT ADHESIVOS 125 4T BLACK MOON

* NOUVELLE PIECE
NEW PART
PIEZA NUEVA

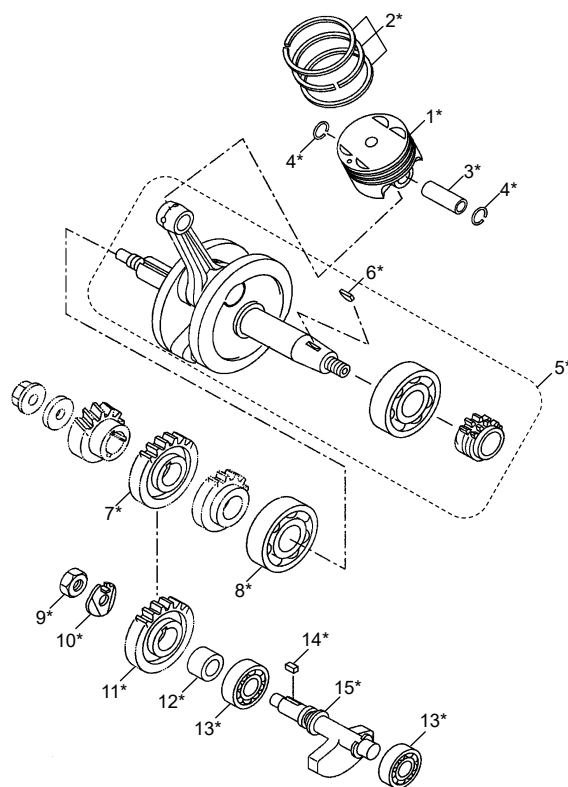
Cylindre-Culasse Cylinder-Cylinder head / Cilindro-Culata



POS.	HRD-SM-FACT-RS	HRD-SE-FACT-RS	FRANÇAIS	ENGLISH	ESPAÑOL
1	11252*	11252*	CULASSE ASSEMBLE	CYL.HEAD ASSY	CULATA CONJUNTO
2	11249*	11249*	CYLINDRE D.52	CYLINDER D.52	CILINDRO D.52
3	10784*	10784*	JOINT DE CULASSE	CILINDER HEAD GASKET	JUNTA CULATA
4	10783*	10783*	JOINT EMBASE CYL	CILYNDER BASE GASKET	JUNTA BASE CILINDRO
5	11350*	11350*	GOUPILLE GOUJON D.10X14-INT.D.8,5	PIN DOWEL	PERNO DE PASADOR D.10X14-INT.D.8,5
6	11431*	11431*	JOINT D 6X11X1	GASKET D 6X11X1	JUNTA D 6X11X1
7	11411*	11411*	VIS M6X10	BOLT M6X10	TORNILLO M6X10
8	11412*	11412*	VIS M6X100	BOLT HEX.SOCKET M6X10	TORNILLO M6X10
9	11397*	11397*	GOUJON CYLINDRRE M8X34	BOLT STUD M8X34	ESPARRAGO CILINDRO M8X34
10	10780*	10780*	JOINT D' ECHAPPEMENT	EXHAUST GASKET	JUNTA ESCAPE
11	11331*	11331*	GUIDE DE SOUPAPE	GUIDE VALVE	GUIA VALVOLA
12	11382*	11382*	BOUCHON DE VIS	PLUG STRAIGHT SCREW	TAPÓN DE TORNILLO
13	11254*	11254*	BOUGIE MR8E-9	PLUG SPARK MR8E-9	BUJIA MR8E-9
14	11469*	11469*	JOINT SPI D.18X6,8X6	SEAL OIL D.18X6,8X6	RETÉN D.18X6,8X6
15	11430*	11430*	VIS M6X30	BOLT FLG SMALL HEAD M6X30	BOLT FLG SMALL HEAD M6X30
16	11351*	11351*	GOUPILLE GOUJON 8X12 POMPE A HUILE	PIN DOWEL	PERNO DE PASADOR 8X12 BOMBA GASOLINA
17	11400*	11400*	RONDELLE D.18X8,2X1,6	WASHER PLAIN D.18X8,2X1,6	ARANDELA D.18X8,2X1,6
18	11439*	11439*	VIS M8X1,25 L=200	BOLT CYLINDER HOLDING M8X1,25 L=200	TORNILLO M8X1,25 L=200
19	11440*	11440*	VIS M8X1,25 L=155	VIS M8X1,25 L=155	TORNILLO M8X1,25 L=155
20	11282*	11282*	COUVERCLE DE CULASSE	CYLINDER HEAD COVER	TAPA DE CULATA
21	11452*	11452*	JOINT DE COUVERCLE	GASKET BREATHER COVER	JUNTA TAPA
22	11435*	11435*	VIS M5X8	SCREW M5X8	TORNILLO M5X8
23	10781*	10781*	JOINT DE COUVRE CULASSE	ROCKER ARM COVER GASKET	JUNTA TAPA BALANÇÍN
24	11435*	11435*	VIS M5X8	SCREW M5X8	TORNILLO M5X8
25	11361*	11361*	TIGE DE POUSSE BALANCIER	ROD 1	TIJA PULSADOR BALANCE
26	11464*	11464*	JOINT	GASKET	JUNTA
27	11443*	11443*	VIS TE M6X16	BOLT FLG. DEEP RECESS M6X16	TORNILLO TE M6X16
28	11455*	11455*	JOINT TORIQUE D.20,8X2,4	O-RING D.20,8X2,4	ANILLO D.20,8X2,4

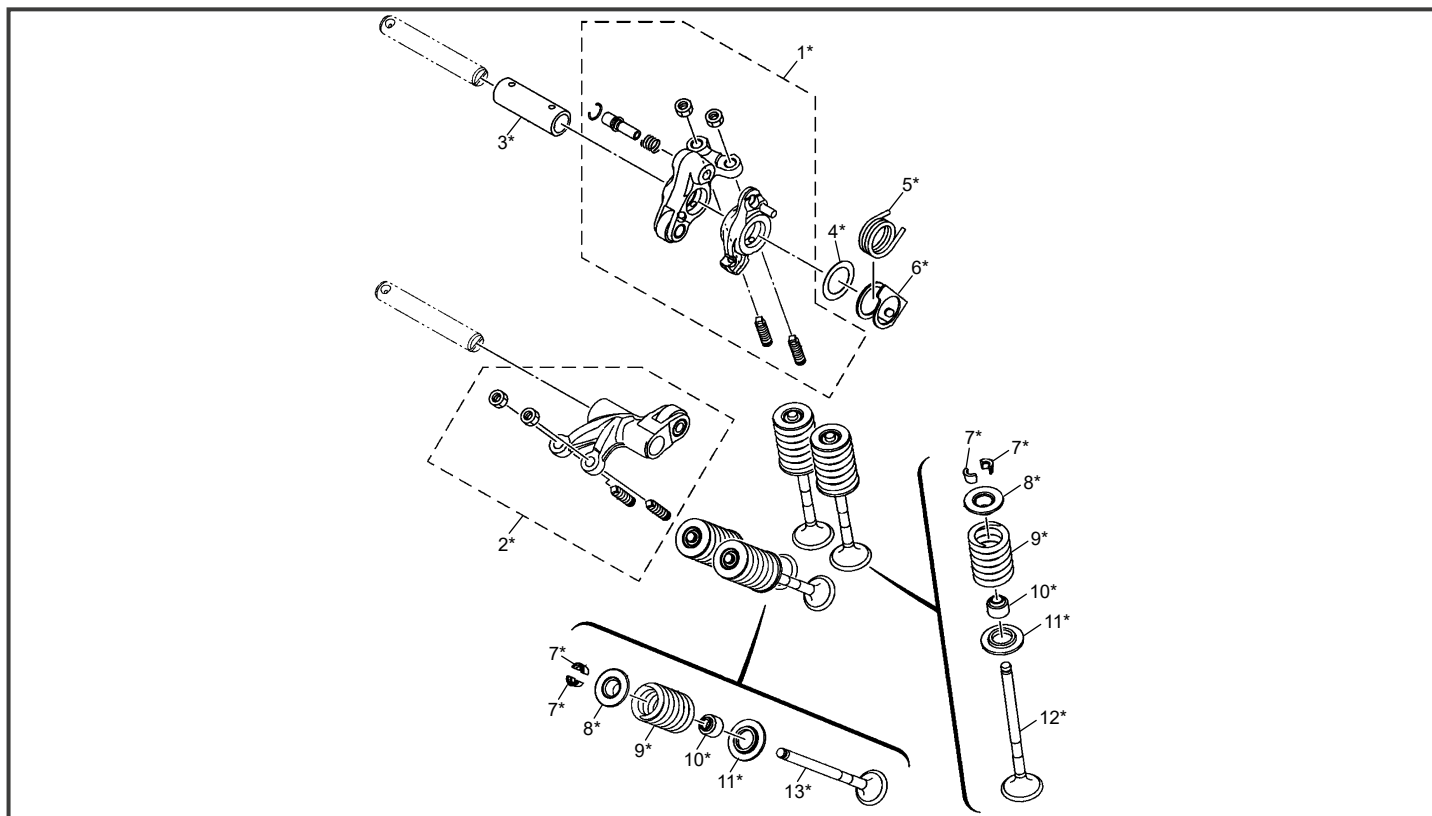
* NOUVELLE PIECE
NEW PART
PIEZA NUEVA

Vilebrequin assemblé Crankshaft assy / Cigüeñal



POS.	HRD-SM-FACT-RS	HRD-SE-FACT-RS	FRANÇAIS	ENGLISH	ESPAÑOL
1	11251*	11251*	PISTON D.52	PISTON D.52	PISTÓN D.52
2	11269*	11269*	KIT SEGMENTS D.52	PISTON RING SET D.52	KIT ARO D.52
3	11359*	11359*	AXE DE PISTON	PIN PISTON	BULON PISTÓN
4	11373*	11373*	CIRCLIP PISTON	CIRCLIP	CIRCLIP PISTÓN
5	11263*	11263*	VILEBREQUIN ASSEMBLE	CANKSHAFT ASSY	CIGÜENAL COMPLETO
6	11392*	11392*	CLAVETTE DEMI LUNE	KEY WOODRUFF	CHAVETA MEDIALUNA
7	11312*	11312*	PIGNON ENTRAINANT BALANCIER	GEAR DRIVE	PIÑÓN ENTRANAMIENTO EJE EQUILIB
8	11335*	11335*	ROULEMENT A BILLES VILEBREQUIN D.25X62X17	CRANKSHAFT BEARING D.25X62X17	COJINETE CIGÜENAL D.25X62X17
9	11394*	11394*	ECROU M10X1 H=8 CH=19	NUT HEX. M10X1 H=8 CH=19	TUERCA M10X1 H=8 CH=19
10	11399*	11399*	RONDELLE 10,2X28X0,8	WASHER TONGUED 10,2X28X0,8	ARANDELA 10,2X28X0,8
11	11313*	11313*	PIGNON BALANCIER	GEAR BALANCE WEIGHT	PIÑÓN EJE EQUILIBRA
12	11402*	11402*	COLLIER	COLLAR	ABRAZADERA
13	11336*	11336*	ROULEMENT A BILLES VILEBREQUIN D.17X40X12	CRANKSHAFT BEARING D.17X40X12	COJINETE CIGÜENAL D.17X40X12
14	11390*	11390*	CLAVETTE 5X5X6	KEY, STRAIGHT 5X5X6	CHAVETA 5X5X6
15	11276*	11276*	AXE BALANCIER	COUNTER WEIGHT SHAFT	EJE EQUILIBRA

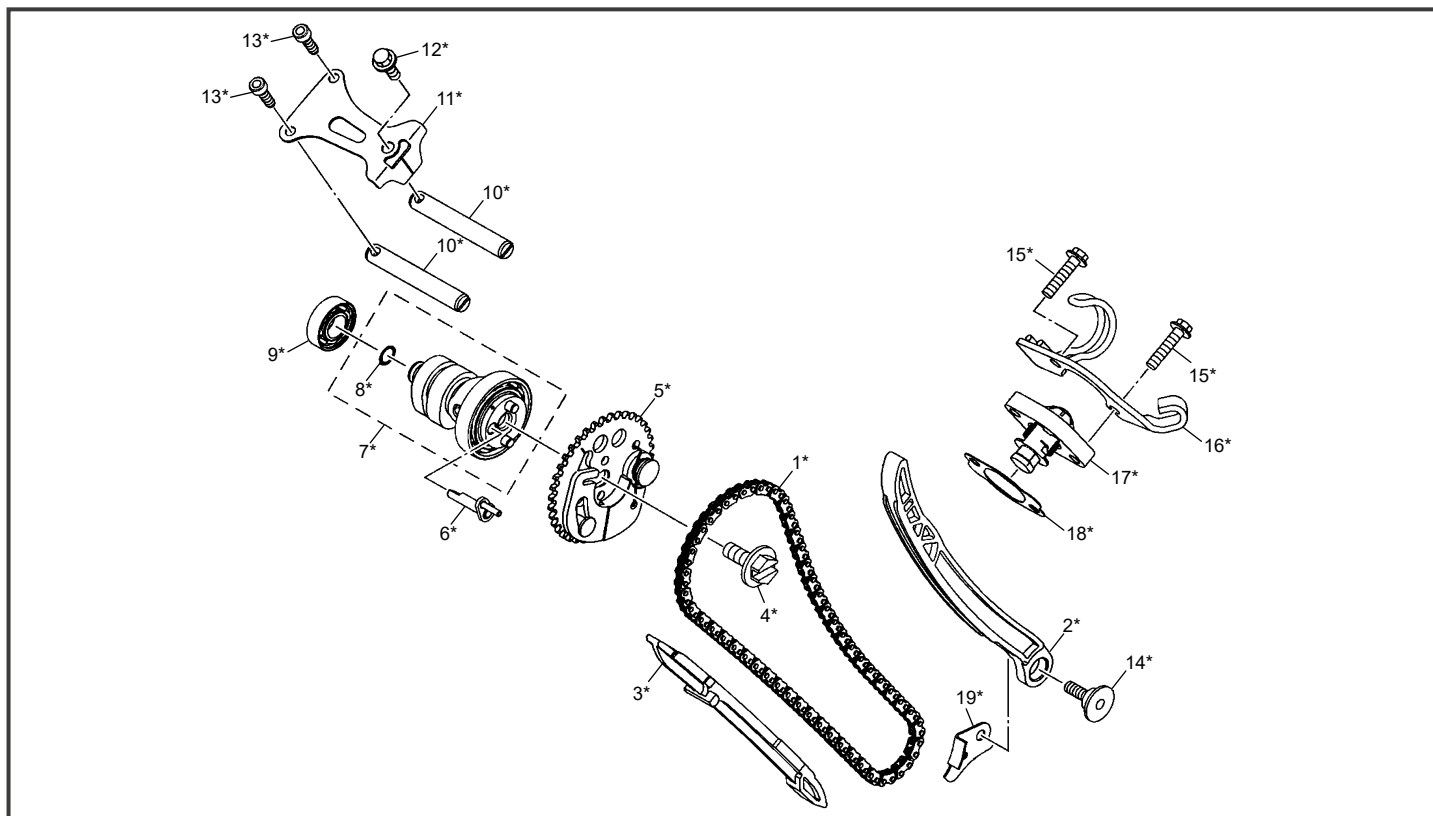
* NOUVELLE PIECE
NEW PART
PIEZA NUEVA



POS.	HRD-SM-FACT-RS	HRD-SE-FACT-RS	FRANÇAIS	ENGLISH	ESPAÑOL
1	11370*	11370*	ENSEMBLE CULBUTEUR ADMISSION	ARM ROCKER 1	CONJUNTO BALANCÍN DE ADMISIÓN
2	11371*	11371*	ENSEMBLE CULBUTEUR ECHAPPEMENT	ARM ROCKER 2	CONJUNTO BALANCÍN DE ESCAPE
3	11451*	11451*	ARBRE DE BALANCIER	SHAFT ROCKER 3	EJE BALANCÍN
4	11437*	11437*	RONDELLE D.21X15X2,3	WASHER 1 D.21X15X2,3	ARANDELLA D.21X15X2,3
5	11318*	11318*	RESSORT DECOMPRESSEUR	DECOMPRESSOR SPRING	MUELLE DE DECOMPRESOR
6	11389*	11389*	PLAQUE	PLATE	PLACA
7	11372*	11372*	BAGUE DE RESSORT	LOCK VALVE SPRING	ANILLO MUELLE
8	11294*	11294*	COUPELLE RESSORT SOUPAPE SUP	SEAT VALVE SPRING UPPER	RETÉNEDOR MUELLE VÁLVULA SUP
9	11317*	11317*	RESSORT DE SOUPAPE	INTAKE VALVE SPRING	MUELLE VÁLVULA
10	11454*	11454*	LARMIER SOUPAPE D.4,5X10,5X8,2	SEAL VALVE STEM OIL D.4,5X10,5X8,2	SELLO DE ACEITE VÁLVULA D.4,5X10,5X8,2
11	11293*	11293*	COUPELLE RESSORT SOUPAPE INF	SEAT VALVE SPRING LOWER	RETÉNEDOR MUELLE VÁLVULA INF
12	11364*	11364*	SOUPAPE ADMISSION	INTAKE VALVE	VÁLVULA ADMISIÓN
13	11363*	11363*	SOUPAPE ECHAPPEMENT	EXHAUST VALVE	VÁLVULA ESCAPE

* NOUVELLE PIECE
NEW PART
PIEZA NUEVA

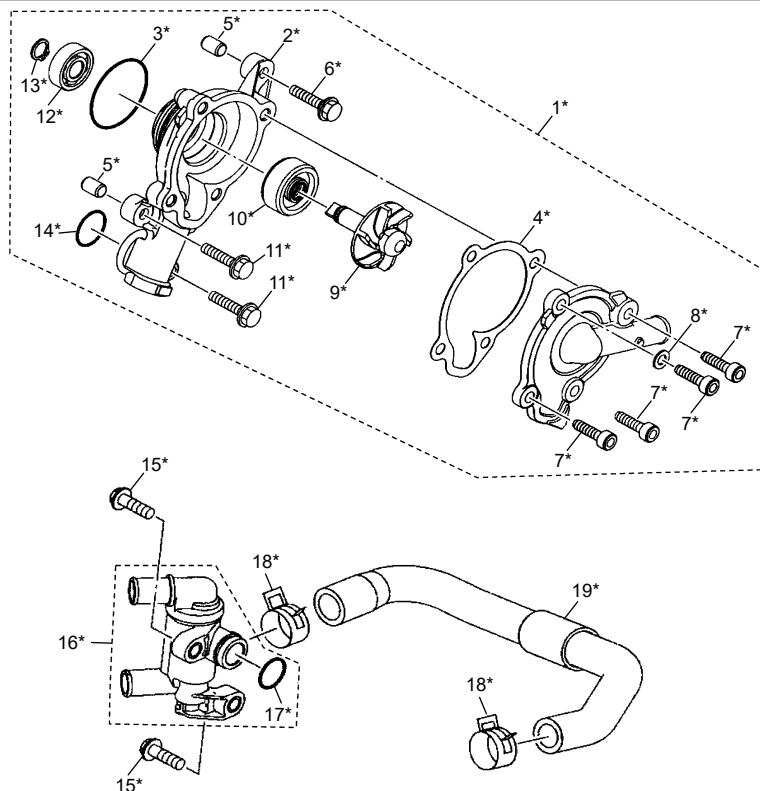
Systeme distribution Distribution system / Sistema de distribución



POS.	HRD-SM-FACT-RS	HRD-SE-FACT-RS	FRANÇAIS	ENGLISH	ESPAÑOL
1	11255*	11255*	CHAÎNE DE DISTRIBUTION	TIMING CHAIN	CADENA DITRIBUCION
2	11381*	11381*	PATIN TENDEUR DE CHAÎNE	GUIDE STOPPER 2	TOPE DE GUIA
3	11380*	11380*	PATIN GUIDE CHAÎNE	GUIDE STOPPER 1	TOPE DE GUIA
4	11410*	11410*	VIS M8X1,25	BOLT M8X1,25	TORNILLO M8X1,25
5	11310*	11310*	DECOMPRESSEUR COMPLET	DECOMPR.ASSY	DECOMPRESSOR COMPLETO
6	11360*	11360*	CAME POUR DECOMPRESSEUR	CAM,DECOMPR.	LEVA PARA DECOMPRESOR
7	11369*	11369*	ENSEMBLE ARBRE A CAME	CAMSHAFT ASSY 1	CONJUNTO ARBOL DE LEVAS
8	11345*	11345*	JOINT TORIQUE OR D.8,8X1,9	O-RING D.8,8X1,9	JUNTA TORICA OR D.8,8X1,9
9	11450*	11450*	ROULEMENT A BILLES D.12X28X8	BEARING D.12X28X8	RODAMIENTO D.12X28X8
10	11349*	11349*	AXE CULBUTEUR	ROCKER SHAFT	EJE DE BALANCIRES
11	11384*	11384*	PLAQUE	PLATE	PLACA
12	11429*	11429*	VIS M6X14	BOLT FLG SMALL HEAD M6X14	TORNILLO M6X14
13	11441*	11441*	VIS M5X16	BOLT HEX. SOCKET M5X16	TORNILLO M5X16
14	11421*	11421*	VIS	BOLT	TORNILLO
15	11406*	11406*	VIS M6X25	BOLT M6X25 FLG. DEEP RECESS	TORNILLO M6X25
16	11385*	11385*	PATTE MAINTIENT FAISCEAU	HOLDER CLUTCH & WIRE	PATA SUPORTE CABLE
17	11268*	11268*	TENDEUR DE CHAÎNE DISTRI	TIMING CHAIN TENSIONER	ENSOR DE CADENA DISTRIBUCION
18	11341*	11341*	JOINT TENDEUR DE CHAÎNE	GASKET TENSIONER CASE 1	JUNTA TENSOR
19	11258*	11258*	PROTECTION DE CHAÎNE	CHAIN PROTECTOR	PROTECTOR DE CADENA

* NOUVELLE PIÈCE
NEW PART
PIEZA NUEVA

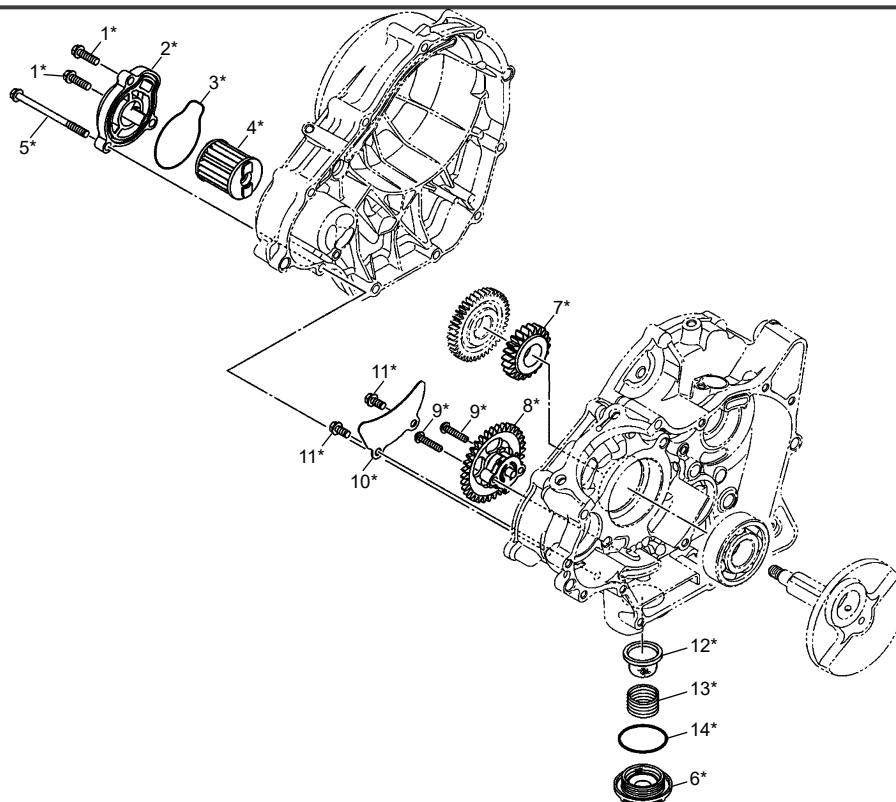
Pompe à eau Water pump / Bomba de agua



POS.	HRD-SM-FACT-RS	HRD-SE-FACT-RS	FRANÇAIS	ENGLISH	ESPAÑOL
1	11362*	11362*	POMPE A EAU	WATER PUMP ASSY	BOMBA DE AGUA
2	11365*	11365*	CACHE CULASSE CYLINDRE	COVER CYLINDER HEAD SID	TAPA CULATA LATERAL
3	11458*	11458*	JOINT TORIQUE	O-RING	ANILLO
4	11340*	11340*	JOINT CARTER POMPE A EAU	GASKET HOUSING COVER 2	JUNTA BOMBA DE AGUA
5	11351*	11351*	GOUPILLE GOUJON 8X12	PIN DOWEL 8X12	CASQUILLO DE CENTRAJE 8X12
6	11406*	11406*	VIS M6X25	BOLT M6X25 FLG. DEEP RECESS	TORNILLO M6X25
7	11438*	11438*	VIS M6X20	BOLT HEX. SOCKET HEAD M6X20	TORNILLO M6X20
8	11431*	11431*	JOINT D 6X11X1	GASKET D 6X11X1	JUNTA D 6X11X1
9	11348*	11348*	TURBINE DE POMPE A EAU	IMPELLER SHAFT ASSY	TURBINA DE BOMBA DE AGUA
10	11468*	11468*	JOINT SPI D.10X31X13,5	SEAL D.10X31X13,5	RETÉN D.10X31X13,5
11	11406*	11406*	VIS M6X25	BOLT M6X25 FLG. DEEP RECESS	TORNILLO M6X25
12	11448*	11448*	ROULEMENT A BILLES D.10X26X8	BEARING D.10X26X8	RODAMIENTO D.10X26X8
13	11374*	11374*	CIRCLIP	CIRCLIP	CIRCLIP
14	11460*	11460*	JOINT TORIQUE D. 19X2,4	O-RING D. 19X2,4	ANILLO D. 19X2,4
15	11418*	11418*	VIS M6X20	BOLT M6X20 FLG. DEEP RECESS	TORNILLO M6X20
16	10782*	10782*	CALORSTAT 125 4T MINA	CALORSTAT 125 4T MINA	CALORSTAT 125 4T MINA
17	11461*	11461*	JOINT TORIQUE	O-RING	ANILLO
18	11326*	11326*	COLLIER DE SERRAGE	COLLAR WATER PIPE	ABRAZADERA
19	11286*	11286*	DURITE REFROIDISSEMENT	COOLING PIPE	TUBO DE REFRIGERACION

* NOUVELLE PIECE
NEW PART
PIEZA NUEVA

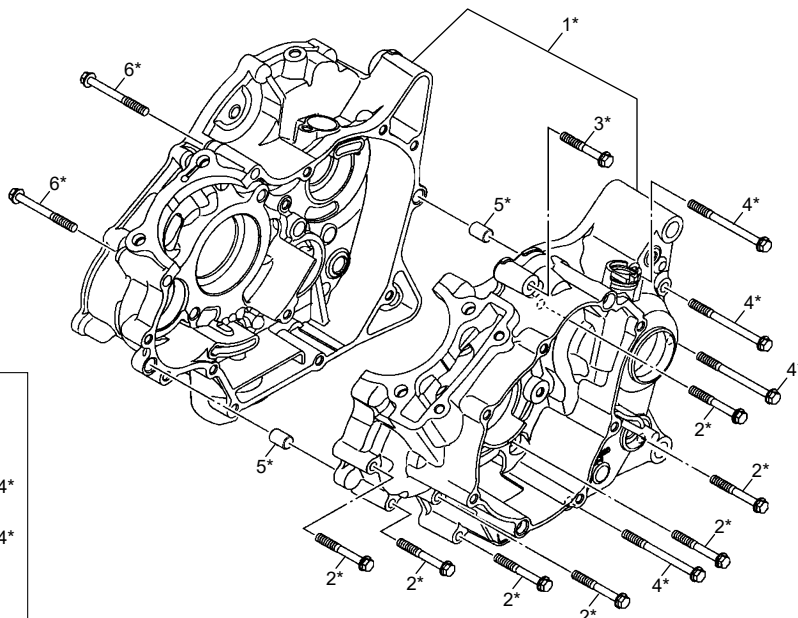
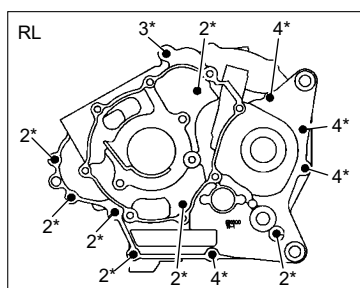
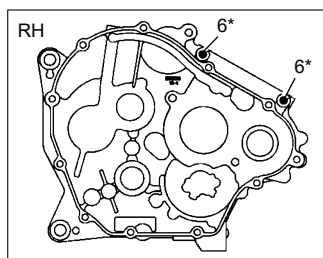
Pompe à huile Oil pump / Bomba de aceite



POS.	HRD-SM-FACT-RS	HRD-SE-FACT-RS	FRANÇAIS	ENGLISH	ESPAÑOL
1	11418*	11418*	VIS M6X20	BOLT M6X20 FLG. DEEP RECESS	TORNILLO M6X20
2	11284*	11284*	COUVERCLE FILTRE A HUILE	OIL FILTER COVER	TAPA FILTRO ACEITE
3	11456*	11456*	JOINT TORIQUE D.53,6X2,4	O-RING D.53,6X2,4	ANILLO D.53,6X2,4
4	10787*	10787*	FILTRE A HUILE PAPIER 125 4T MINA	OIL FILTER 125 4T MINA	FILTRO ACEITE 125 4T MINA
5	11419*	11419*	VIS M6X80	BOLT M6X80 FLG. DEEP RECESS	TORNILLO M6X80
6	11281*	11281*	BOUCHON CREPINE	PLUG DRAIN 1	TAPÓN ACEITE
7	11315*	11315*	PIGNON DE POMPE A HUILE	OIL PUMP GEAR DRIVE	PIÑÓN BOMBA ACEITE
8	11266*	11266*	POMPE A HUILE COMPLETE	OIL PUMP ASSY	BOMBA DE ACEITE
9	11413*	11413*	VIS M5X25	BOLT HEX.SOCKET HEAD M5X25	TORNILLO M5X25
10	11283*	11283*	PLAQUE POMPE A HUILE	OIL PUMP PLATE	PLACA BOMBA ACEITE
11	11407*	11407*	VIS M6X12	BOLT M6X12 FLG. DEEP RECESS	TORNILLO M6X12
12	11267*	11267*	CREPINE D'HUILE	STRAINER OIL	CREPINA ACEITE
13	11316*	11316*	RESSORT FILTRE A HUILE	OIL FILTER SPRING	MUELLE FILTRO ACEITE
14	11459*	11459*	JOINT TORIQUE D.33,7X3,5	O-RING D.33,7X3,5	ANILLO D.33,7X3,5

* NOUVELLE PIECE
NEW PART
PIEZA NUEVA

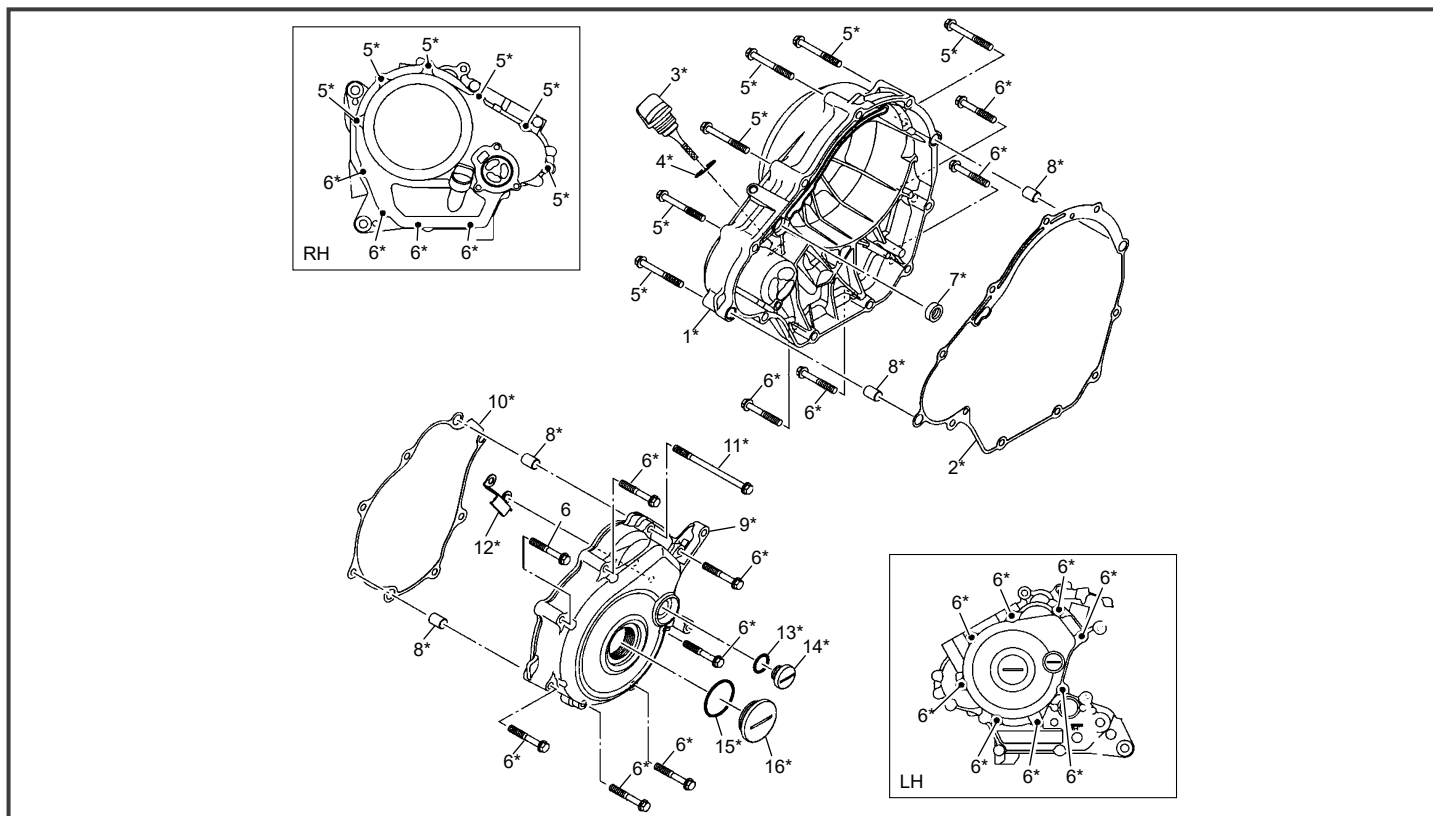
Carters centraux Central crankcase / Cáster central



POS.	HRD-SM-FACT-RS	HRD-SE-FACT-RS	FRANÇAIS	ENGLISH	ESPAÑOL
1	11270*	11270*	GROUPE CARTERS CENTRAUX	CRANKCASE ASSY	JUEGO CARTERES CENTRALES
2	11414*	11414*	VIS M6X45	BOLT M6X45 FLG. DEEP RECESS	TORNILLO M6X45
3	11420*	11420*	VIS M6X40	BOLT M6X40 FLG. DEEP RECESS	TORNILLO M6X40
4	11405*	11405*	VIS M6X70	BOLT M6X70 FLG. DEEP RECESS	TORNILLO M6X70
5	11350*	11350*	DOUILLE DE CENTRAGE D.10X14-INT.D.8,5	PIN DOWEL D.10X14-INT.D.8,5	CASQUILLO DE CENTRAJE D.10X14-INT.D.8,5
6	11415*	11415*	VIS M6X55	BOLT M6X55 FLG. DEEP RECESS	TORNILLO M6X55

* NOUVELLE PIECE
NEW PART
PIEZA NUEVA

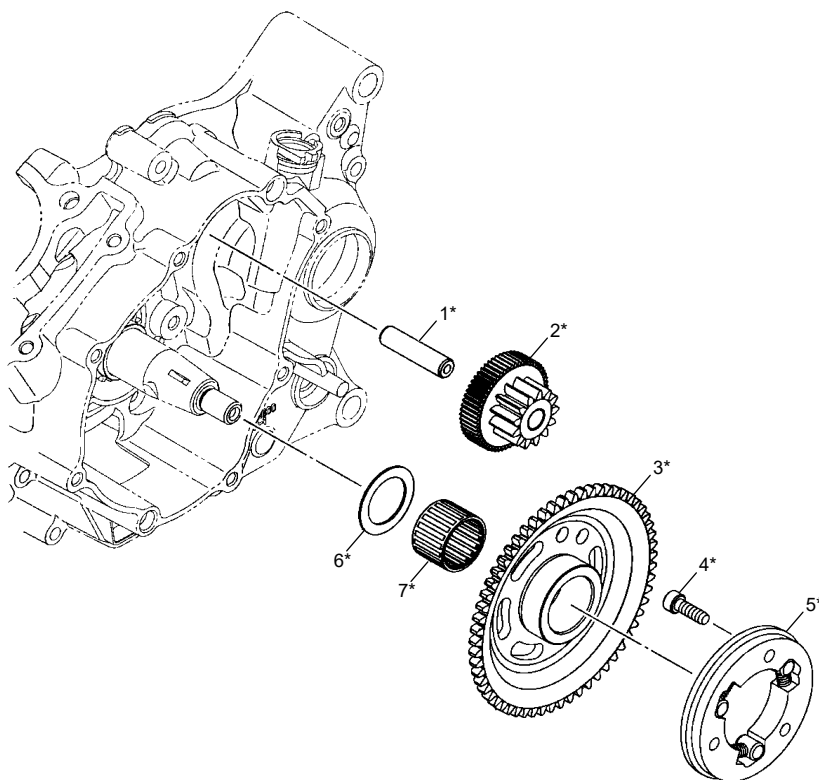
Carters lateraux Lateral crankcase / Cártel lateral



POS.	HRD-SM-FACT-RS	HRD-SE-FACT-RS	FRANÇAIS	ENGLISH	ESPAÑOL
1	11256*	11256*	COUVERCLE D'EMBRAYAGE	CLUTCH COVER	TAPA EMBRAGUE
2	11342*	11342*	JOINT COUVERCLE D'EMBRAYAGE	GASKET, CRANKCASE COVER 2	JUNTA TAPA EMBRAGUE
3	11379*	11379*	BOUCHON NIVEAU D HUILE	PLUG,OIL LEVEL	TAPÓN DE NIVEL ACEITE
4	11460*	11460*	JOINT TORIQUE D. 19X2,4	O-RING D. 19X2,4	ANILLO D. 19X2,4
5	11417*	11417*	VIS M6X50	BOLT M6X50 FLG. DEEP RECESS	TORNILLO M6X50
6	11420*	11420*	VIS M6X40	BOLT M6X40 FLG. DEEP RECESS	TORNILLO M6X40
7	11467*	11467*	JOINT SPI D.18X10X6	SEAL OIL D.18X10X6	RETÉN D.18X10X6
8	11350*	11350*	DOUILLE DE CENTRAGE D.10X14-INT.D.8,5	PIN DOWEL D.10X14-INT.D.8,5	CASQUILLO DE CENTRAJE D.10X14-INT.D.8,5
9	11257*	11257*	COUVERCLE D'ALLUMAGE	IGNITION COVER	TAPA ENCENDIDO
10	11343*	11343*	JOINT DE COUVERCLE D'ALLUMAGE	GASKET, IGNITION COVER	JUNTA DE TAPA ENCENDIDO
11	11416*	11416*	VIS M6X90	BOLT M6X90 FLG. DEEP RECESS	TORNILLO M6X90
12	11333*	11333*	PLAQUE	PLATE	PLATA
13	11457*	11457*	JOINT TORIQUE D.13,5X2,2	O-RING D.13,5X2,2	ANILLO D.13,5X2,2
14	11288*	11288*	BOUCHON 1 D'ALLUMAGE	IGNITION COVER PLUG 1	TAPÓN 1 TAPA ENCENDIDO
15	11462*	11462*	JOINT TORIQUE D.31,5X2,4	O-RING D.31,5X2,4	ANILLO D.31,5X2,4
16	11287*	11287*	BOUCHON 2 D'ALLUMAGE	IGNITION COVER PLUG 2	TAPÓN 2 TAPA ENCENDIDO

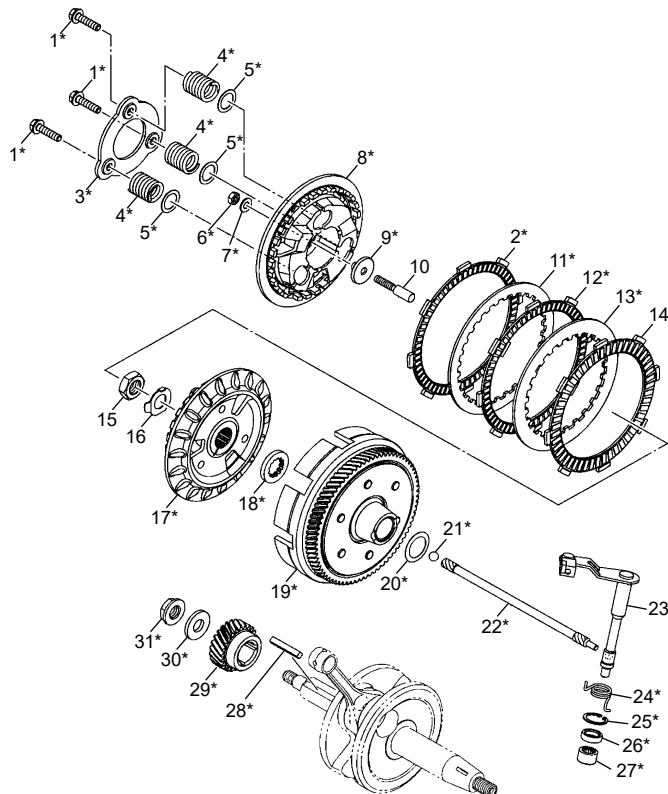
* NOUVELLE PIECE
NEW PART
PIEZA NUEVA

Démarrreur Starter motor / Motor de arranque



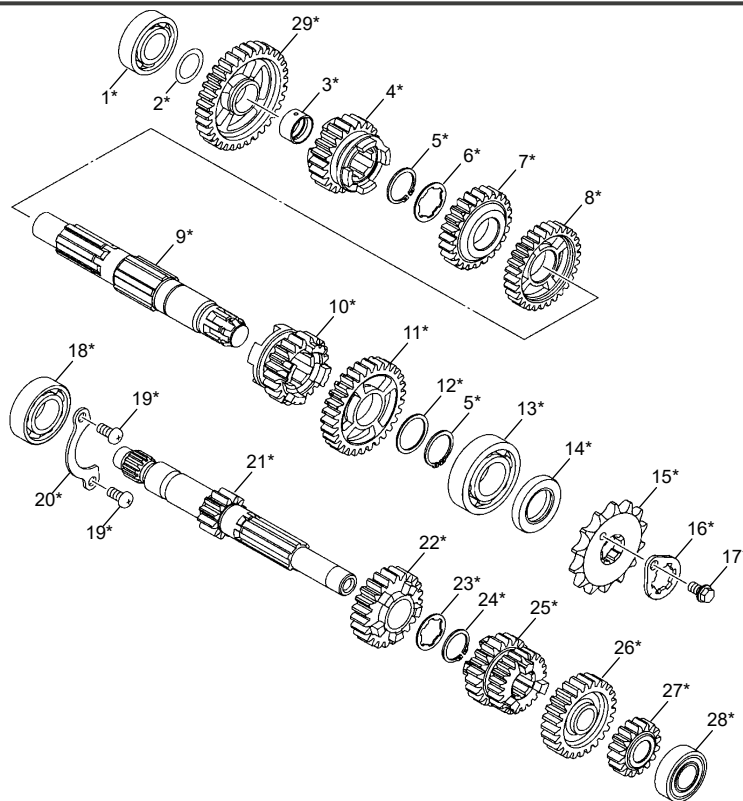
POS.	HRD-SM-FACT-RS	HRD-SE-FACT-RS	FRANÇAIS	ENGLISH	ESPAÑOL
1	11352*	11352*	AXE DE PIGNON INTERMEDIAIRE	SHAFT,1	EJE DE ENGRANAJE INTERMEDIO
2	11309*	11309*	PIGNON INTERMDIAIRE DEMARREUR	INTERMEDIARY GEAR E-STARTER	PIÑÓN INTERMEDIO MOTOR DE ARRANQUE
3	11311*	11311*	PIGNON DE ROUE LIBRE DEMARREUR	WHEEL STARTER	PIÑÓN RUEDA LIBRE DE ARRANQUE
4	11444*	11444*	VIS M6X20	BOLT,HEX.SOCKET M6X20	TORNILLO M6X20
5	11314*	11314*	ROUE LIBRE COMPLETE	STARTER ONE-WAY ASSY	RUEDA LIBRE COMPLETA
6	11428*	11428*	RONDELLE D.25,2X36X1	WASHER PLAIN D.25,2X36X1	ARANDELA D.25,2X36X1
7	11334*	11334*	CAGE A AIGUILLE D.30X25X19,8	NEEDLE BEARING D.30X25X19,8	JAULA AGUJAS D.30X25X19,8

* NOUVELLE PIECE
NEW PART
PIEZA NUEVA



POS.	HRD-SM-FACT-RS	HRD-SE-FACT-RS	FRANÇAIS	ENGLISH	ESPAÑOL
1	11404*	11404*	RESSORT DE VIS	SCREW SPRING	MUELLE TORNILLO
2	10774*	10774*	DISQUE GARNI 3552 125 4T MINA	PLATE FRICTION 3552 125 4T MINA	PLACA FRICCIÓN 3552 125 4T MINA
3	11387*	11387*	PLAQUE DE PRESSION EMBRAYAGE	PLATE PRESSURE 2	PLACA PRESION EMBRAGUE
4	11324*	11324*	RESSORT D'EMBRAYAGE	SPRING CLUTCH 1	MUELLE EMBRAGUE
5	11346*	11346*	RONDELLE D.25,5X2,4	WASHER D.25,5X2,4	ARANDELA D.25,5X2,4
6	11409*	11409*	ECROU	NUT	TUERCA
7	11434*	11434*	RONDELLE	WASHER	ARANDELLA
8	11296*	11296*	PLATEAU PRESSEUR	PRESSURE PLATE	PLATO DE PRESSION
9	11290*	11290*	BUTEE D'EMBRAYAGE	CLUTCH PUSHING PLATE	TOPE PLATO DE PRESSION
10	11356*	11356*	TIGE EMBRAYAGE	ROD,PUSH 1	VARILLE EMBRAGUE
11	10775*	10775*	DISQUE LISSE 3540 125 4T MINA	PLATE FRICTION 3540 125 4T MINA	PLACA FRICCIÓN 3540 125 4T MINA
12	10776*	10776*	DISQUE GARNI 3553 125 4T MINA	PLATE FRICTION 3553 125 4T MINA	PLACA FRICCIÓN 3553 125 4T MINA
13	10777*	10777*	DISQUE LISSE 3541 125 4T MINA	PLATE FRICTION 3541 125 4T MINA	PLACA FRICCIÓN 3541 125 4T MINA
14	10778*	10778*	DISQUE GARNI 3550 125 4T MINA	PLATE FRICTION 3550 125 4T MINA	PLACA FRICCIÓN 3550 125 4T MINA
15	11393*	11393*	ECROU M14X1 H=8 CH=22	NUT M14X1 H=8 CH=22	TUERCA M14X1 H=8 CH=22
16	11401*	11401*	RONDELLE D.26X14X1	WASHER TONGUED D.26X14X1	ARANDELA D.26X14X1
17	11298*	11298*	NOIX D'EMBRAYAGE	BOSS CLUTCH	MAZA EMBRAGUE
18	11396*	11396*	RONDELLE FRICTION	PLATE THRUST 1	PACA DE EMPUJE
19	11289*	11289*	CLOCHE D'EMBRAYAGE	CLUTCH BASKET ASSY	CAMPANA EMBRAGUE
20	11424*	11424*	RESSORT DE RONDELLE D.20X28,5X0,3	WASHER CONICAL SPRING D.20X28,5X0,3	MUELLE ARANDELA D.20X28,5X0,3
21	11339*	11339*	BILLE TIGE EMBRAYAGE	BALL	BOLA VARILLA EMBRAGUE
22	11358*	11358*	TIGE DE POUSSEE	PUSH ROD	EMPURADOR DE VARILLA
23	11264*	11264*	LEVIER D'EMBRAYAGE	PUSH LEVER ASSY	PALANCE DE EMBRAGUE
24	11322*	11322*	RESSORT DE RAPPEL COMMANDE D'EMBRAYAGE	SPRING LEVER RETURN	MUELLE LEVA EMBRAGUE
25	Y703	Y703	CIRCLIP	CIRCLIP	PRESILLA RONDADA
26	9152	9152	JOINT SPI	OIL SEAL	SELLO ACEITE
27	11330*	11330*	CAGE A AIGUILLE D.12X16X10	NEEDLE BEARING D.12X16X10	JAULA AGUJAS D.12X16X10
28	11391*	11391*	CLAVETTE 5X5X33	KEY, FEATHER 5X5X33	CHAVETA 5X5X33
29	11297*	11297*	PIGNON 24 DTS	GEAR PRIMARY DRIVE Z24	PIÑÓN Z24
30	11427*	11427*	RONDELLE D.12X27X3	WASHER PLAIN D.12X27X3	ARANDELA D.12X27X3
31	11408*	11408*	ECROU	NUT	TUERCA

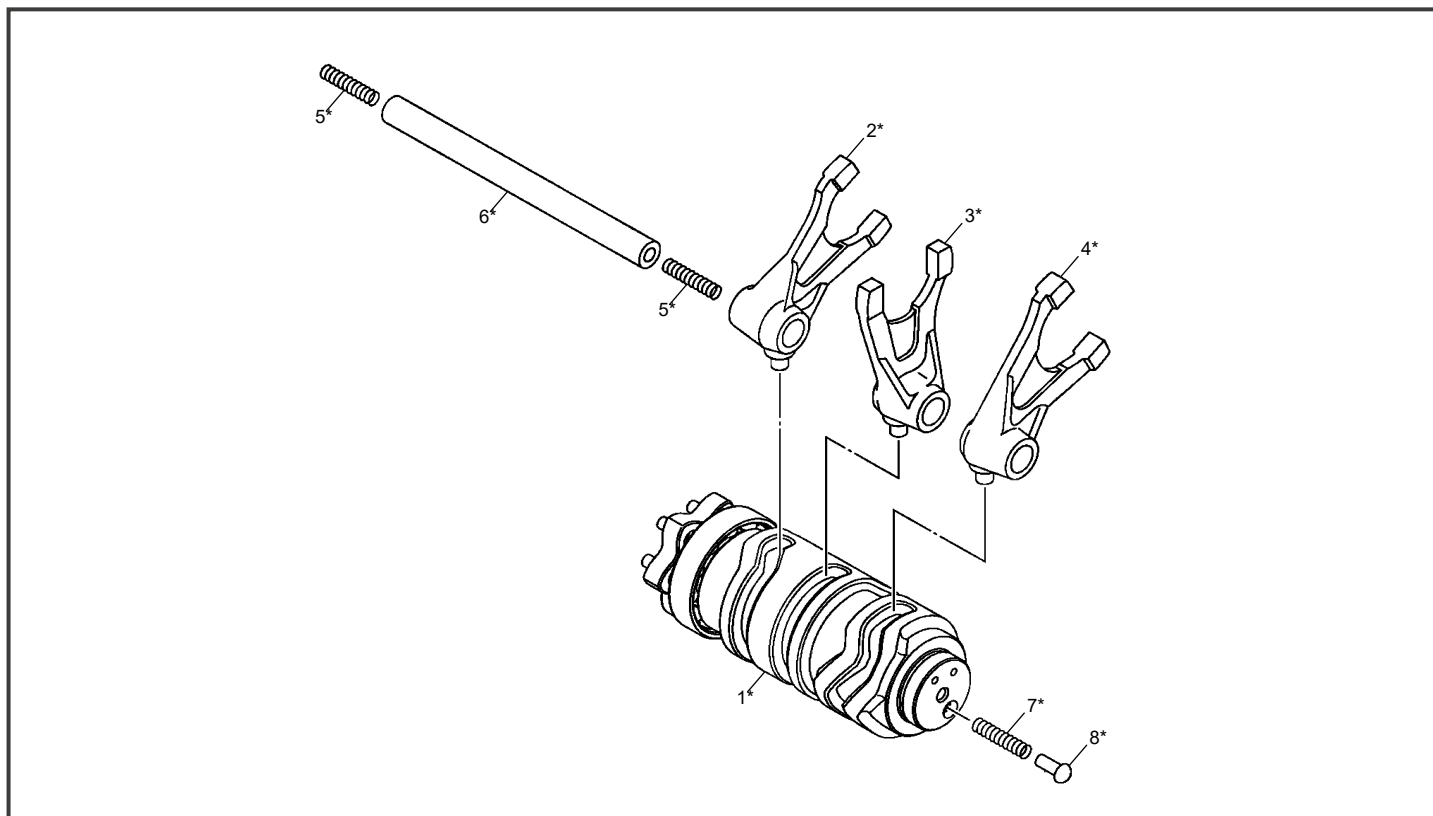
* NOUVELLE PIECE
NEW PART
PIEZA NUEVA



POS.	HRD-SM-FACT-RS	HRD-SE-FACT-RS	FRANÇAIS	ENGLISH	ESPAÑOL
1	11338*	11338*	ROULEMENT A BILLES VILEBREQUIN D.17X40X12	CRANKSHAFT BEARING D.17X40X12	COJINETE CIGÜENAL D.17X40X12
2	11423*	11423*	RONDELLE	WASHER PLAIN	ARANDELA
3	11332*	11332*	COLLIER ARBRE SECONDAIRE	SECONDARY SHAFT COLLAR	ABRAZADERA DE EJE SECUNDARIO
4	11307*	11307*	PIGNION 5 ARBRE SECONDAIRE	GEAR 5TH PINION, SECONDARY SHAFT	PIÑÓN 5 EJE SEGUNDARIO
5	11375*	11375*	CIRCLIP	CIRCLIP	CIRCLIP
6	11425*	11425*	RONDELLE	WASHER	ARANDELA
7	11306*	11306*	PIGNION 4 ARBRE SECONDAIRE	GEAR 4TH PINION, SECONDARY SHAFT	PIÑÓN 4 EJE SEGUNDARIO
8	11305*	11305*	PIGNION 3 ARBRE SECONDAIRE	GEAR 3RD PINION, SECONDARY SAFT	PIÑÓN 3 EJE SEGUNDARIO
9	11274*	11274*	ARBRE SECONDAIRE	DRIVE SHAFT	EJE SECUNDARIO
10	11308*	11308*	PIGNION 6 ARBRE SECONDAIRE	GEAR 6TH PINION, SECONDARY SHAFT	PIÑÓN 6 EJE SEGUNDARIO
11	11304*	11304*	PIGNION 2 ARBRE SECONDAIRE	GEAR 2ND PINION, SECONDARY SHAFT	PIÑÓN 2 EJE SEGUNDARIO
12	11422*	11422*	RONDELLE PLATE	WASHER PLATE	ARANDELA PLANA
13	11449*	11449*	ROULEMENT A BILLES D. 22X50X14	BEARING D. 22X50X14	RODAMIENTO D. 22X50X14
14	11466*	11466*	JOINT SPI D.38X21X6	SEAL OIL D.38X21X6	RETÉN D.38X21X6
15	11526*	11526*	PIGNON SORTIE DE BOITE 125 4T Z14	SPROCKET DRIVE 125 4T Z14	PIÑÓN Z14 125 4T Z14
16	11291*	11291*	RONDELLE PIGNON SORTIE DE BOITE	DRIVE SPROCKET HOLDER	ARANDELA BLOCAJE PIÑÓN CADENA
17	11411*	11411*	VIS M6X10	BOLT M6X10 FLG. DEEP RECESS	TORNILLO M6X10
18	11337*	11337*	ROULEMENT A BILLES VILEBREQUIN D.20X42X12	CRANKSHAFT BEARING D.20X42X12	COJINETE CIGÜENAL D.20X42X12
19	11433*	11433*	VIS M6X12	BOLT HEX.SOCKET M6X12	TORNILLO M6X12
20	11386*	11386*	PLAQUE DE BUTEE	PLATE COVER	PLACA DE CUBIERTA
21	11273*	11273*	ARBRE PRIMAIRE	PRIMARY SHAFT	EJE PRIMARIO
22	11301*	11301*	PIGNION 5 ARBRE PRIMAIRE	GEAR 5TH PINION, PRIMARY SHAFT	PIÑÓN 5 EJE PRIMARIO
23	11426*	11426*	RONDELLE	WASHER	ARANDELA
24	11377*	11377*	CIRCLIP	CIRCLIP	CIRCLIP
25	11300*	11300*	PIGNION 3 ARBRE PRIMAIRE	GEAR 3RD PINION, PRIMARY SHAFT	PIÑÓN 3 EJE PRIMARIO
26	11302*	11302*	PIGNION 6 ARBRE PRIMAIRE	GEAR 6TH PINION, PRIMARY SHAFT	PIÑÓN 6 EJE PRIMARIO
27	11299*	11299*	PIGNION 2 ARBRE PRIMAIRE	GEAR 2ND PINION, PRIMARY SHAFT	PIÑÓN 2 EJE PRIMARIO
28	11329*	11329*	ROULEMENT A BILLES D.15X35X11	BEARING D.15X35X11	COJINETE D.15X35X11
29	11303*	11303*	PIGNION 1 ARBRE SECONDAIRE	GEAR 1ST PINION, SECONDARY SHAFT	PIÑÓN 1 EJE SEGUNDARIO

* NOUVELLE PIECE
NEW PART
PIEZA NUEVA

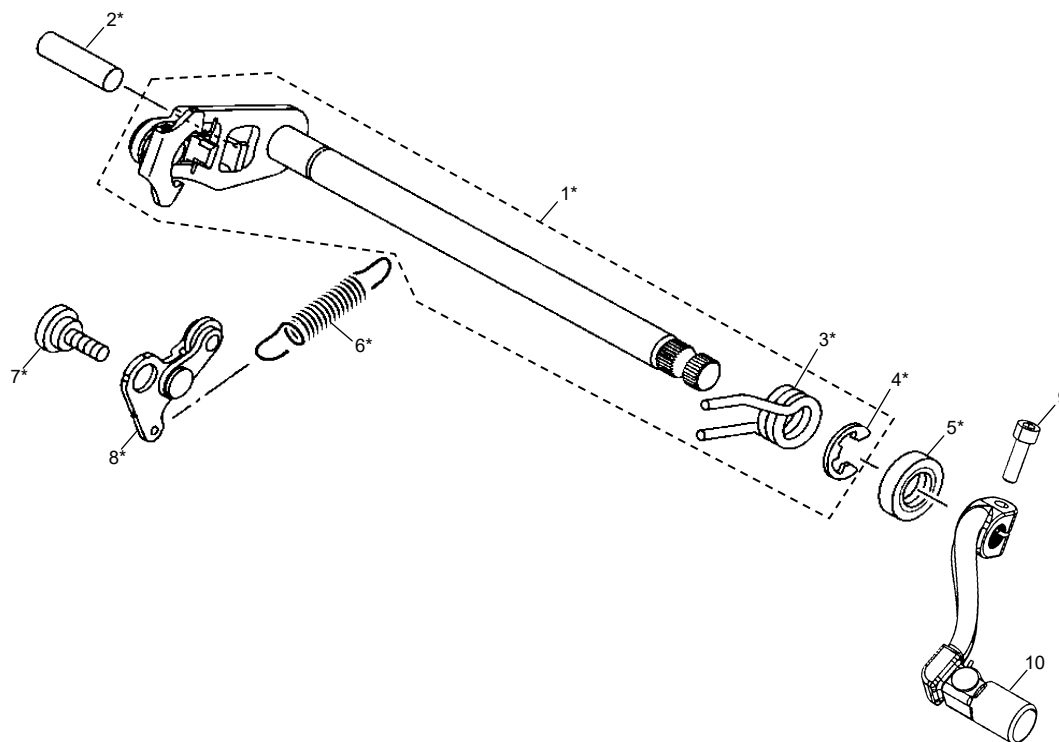
Selection Selector / Selector



POS.	HRD-SM-FACT-RS	HRD-SE-FACT-RS	FRANÇAIS	ENGLISH	ESPAÑOL
1	11253*	11253*	BARILLET DE SELECTION	SHIFT CAM ASSY	DESMODRONICO SELECTOR
2	11262*	11262*	FOURCHETTE 3	FORK SHIFT 3	HORQUILLA 3
3	11261*	11261*	FOURCHETTE 2	FORK SHIFT 2	HORQUILLA 2
4	11260*	11260*	FOURCHETTE 1	FORK SHIFT 1	HORQUILLA 1
5	11321*	11321*	RESSORT D'AXE DE FOURCHETTE	SPRING COMPRESSION	MUELLE EJE DE HORQUILLA
6	11353*	11353*	AXE DE FOURCHETTE	BAR SHIFT FORK GUIDE 1	EJE HORQUILLA
7	11319*	11319*	RESSORT BARILLET DE SELECTION	SELECTOR DRUM SPRING	MUELLE DESMODRONICO
8	11354*	11354*	INDICATEUR SELECTION	POINT	INDICADOR DE SELECCIÓN

* NOUVELLE PIECE
 * NEW PART
 * PIEZA NUEVA

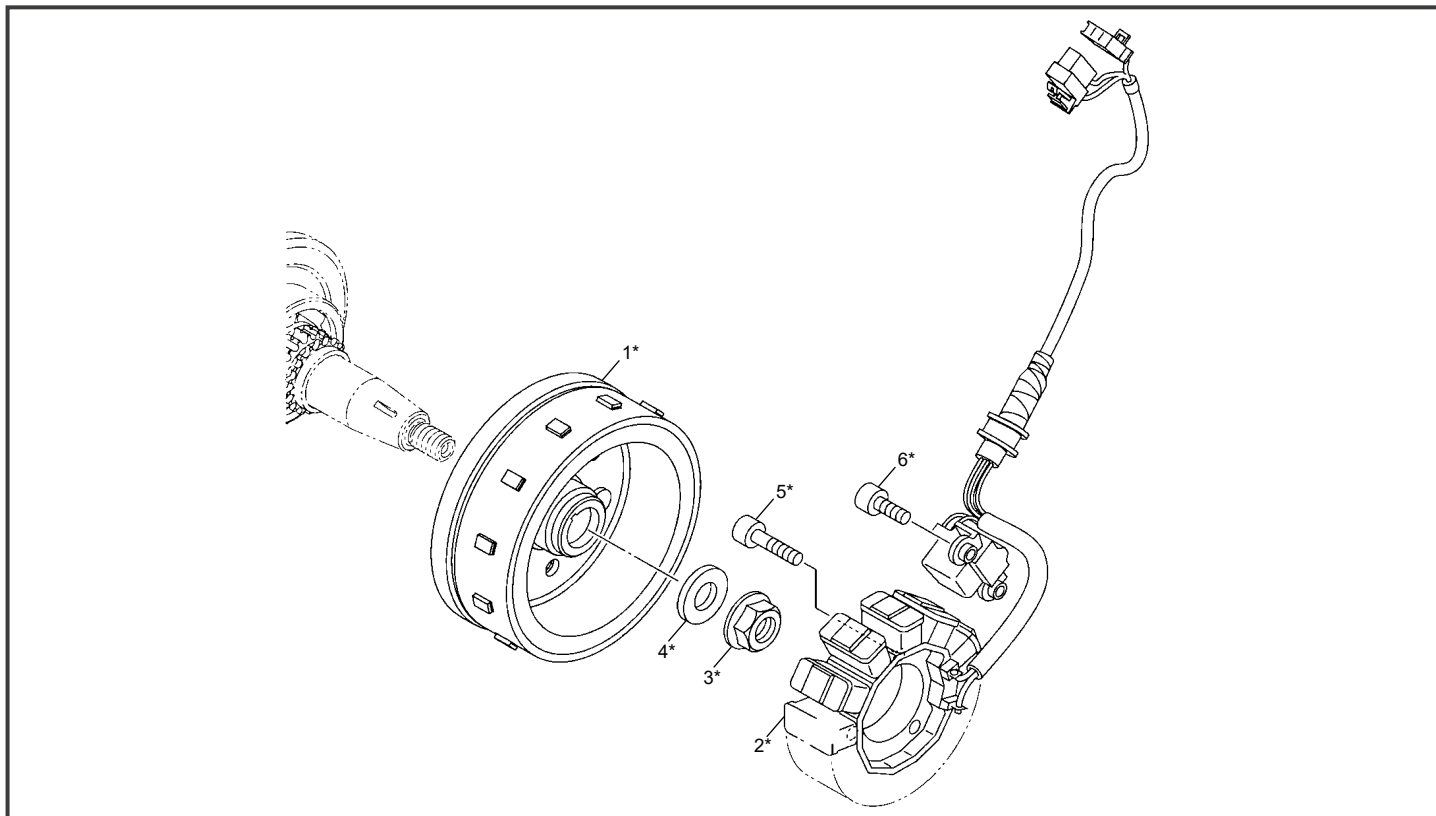
Sélecteur Gear selector group / Selector cambio



POS.	HRD-SM-FACT-RS	HRD-SE-FACT-RS	FRANÇAIS	ENGLISH	ESPAÑOL
1	11275*	11275*	ABRE DE SELECTION	SHIFT SHAFT ASSY	EJE SELECTOR
2	11357*	11357*	GOUPILLE GOUJON	PIN,DOWEL	PASADOR
3	11320*	11320*	RESSORT RAPPEL AXE SELECTEUR	SPRG., TORSION	MUELLE EJE SELECTOR
4	11376*	11376*	CIRCLIP	CIRCLIP	CIRCLIP
5	11347*	11347*	JOINT SPI D.12X22X5	SEAL OIL D.12X22X5	SELLO ACEITE D.12X22X5
6	11323*	11323*	RESSORT DE SELECTEUR	SPRING	MUELLE DE SELECTOR
7	11403*	11403*	VIS M6X1	BOLT M6X1	TORNILLO M6X1
8	11292*	11292*	DOIGT DE VERROUILLAGE	INDEX LEVER ASSY	PALANCA CIERRE SELECTOR
9	M252	M252	VIS CHC 6 X 20 0084 ZN NI TR PRE IMPREGNEE MOYEN	SCREW CHC 6 X 20 ZN NI TR PRE IMPREGNEE MOYEN	TORNILLO 6 X 20 DIN 912 ZN NI TR PRE IMPREGNEE MOYEN
10	2739	2739	SELECTEUR 125	SHIFT LEVER ASSY 125	SELECTOR 125

* NOUVELLE PIECE
NEW PART
PIEZA NUEVA

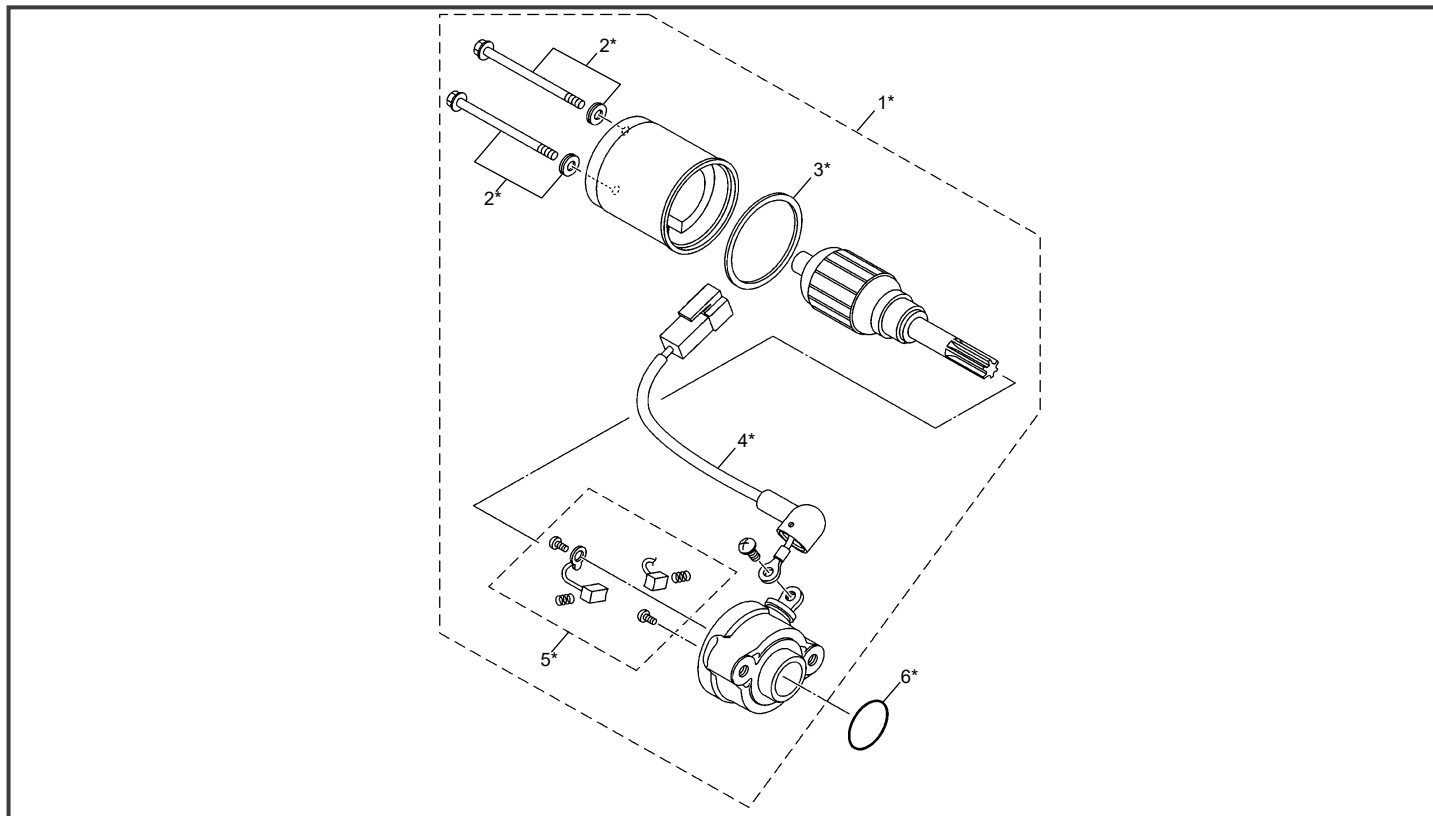
Ensemble allumage Ignition system / Sistema de encendido



POS.	HRD-SM-FACT-RS	HRD-SE-FACT-RS	FRANÇAIS	ENGLISH	ESPAÑOL
1	11272*	11272*	ROTOR	ROTOR ASSY	ROTOR
2	11271*	11271*	STATOR	STATOR ASSY	STATOR
3	11395*	11395*	ECROU M12X1,25X11	NUT FLG. M12X1,25X11	TUERCA M12X1,25X11
4	11427*	11427*	RONDELLE D.12X27X3	WASHER PLAIN D.12X27X3	ARANDELA D.12X27X3
5	11447*	11447*	VIS M6X25	BOLT,HEX.SOCKET M6X25	TORNILLO M6X25
6	11445*	11445*	VIS M6X16	BOLT,HEX.SOCKET HEAD M6X16	TORNILLO M6X16

* NOUVELLE PIECE
NEW PART
PIEZA NUEVA

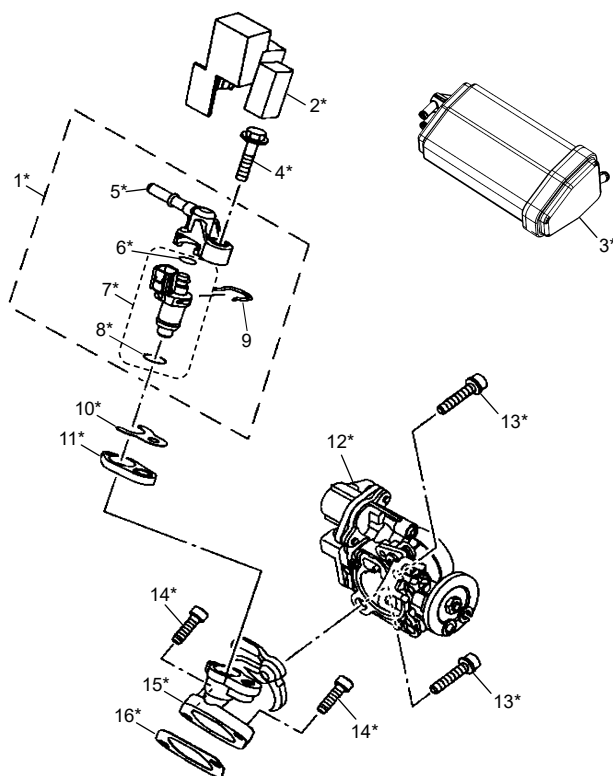
Démarrreur Starter motor / Motor de arranque



POS.	HRD-SM-FACT-RS	HRD-SE-FACT-RS	FRANÇAIS	ENGLISH	ESPAÑOL
1	11250*	11250*	DEMARREUR ASSEMBLE	STARTING MOTOR ASSY	MOTOR DE ARRANQUE
2	11325*	11325*	VIS POUR DEMARREUR	STARTER SCREW	TORNILLO DE ARRANQUE
3	11367*	11367*	JOINT	GASKET	JUNTA
4	11259*	11259*	CABLE DEMARREUR	STARTING MOTOR CABLE	CABLE MOTOR DE ARRANQUE
5	11366*	11366*	KIT CHARBONS	BRUSH SET	CARBONES DE ARRANQUE
6	11346*	11346*	JOINT TORIQUE OR D.25,5X2,4	O-RING D.25,5X2,4	JUNTA TORICA OR D.25,5X2,4

* NOUVELLE PIECE
NEW PART
PIEZA NUEVA

Corps d'injection Injector body / Cuerpo de inyección



POS.	HRD-SM-FACT-RS	HRD-SE-FACT-RS	FRANÇAIS	ENGLISH	ESPAÑOL
1	11279*	11279*	INJECTEUR COMPLET	INJECTOR ASSY	INYECTOR COMPLETO
2	11383*	11383*	CACHE D'INJECTEUR	CAP/INJECTOR	PROTECCION INYECTOR
3	11295*	11295*	CANISTER	CANISTER ASSY	CANISTER
4	11432*	11432*	VIS M6X30	BOLT FLG M6X30	TORNILLO M6X30
5	11285*	11285*	CONNECTEUR INJECTEUR	INJECTOR CONNECTOR	CONNECTOR INYECTOR
6	11453*	11453*	JOINT TORIQUE	O-RING	ANILLO
7	11280*	11280*	INJECTEUR	INJECTOR	INYECTOR
8	11344*	11344*	JOINT TORIQUE	O-RING	JUNTA TORICA
9	11328*	11328*	CLIP D'ARRET INJECTEUR	CLIP	CLIP PARADA INYECTOR
10	11465*	11465*	JOINT	GASKET	JUNTA
11	11398*	11398*	ENTRETOISE	SPACER	ESPACIADOR
12	11248*	11248*	CORPS D'INJECTION COMPLET	THROTTLE BODY ASSY	CUERPO INYECTION COMPLETO
13	11442*	11442*	VIS M6X30	BOLT HEX. SOCKET M6X30	TORNILLO M6X30
14	11438*	11438*	VIS M6X20	BOLT HEX. SOCKET HEAD M6X20	TORNILLO M6X20
15	11265*	11265*	COLLECTEUR ADMISSION	INTAKE PIPE	TUBO DE ADMISSION
16	11463*	11463*	JOINT	GASKET	JUNTA

* NOUVELLE PIECE
NEW PART
PIEZA NUEVA

SHERCO



WWW.SHERCO.COM



created by www.ciadisseny.com